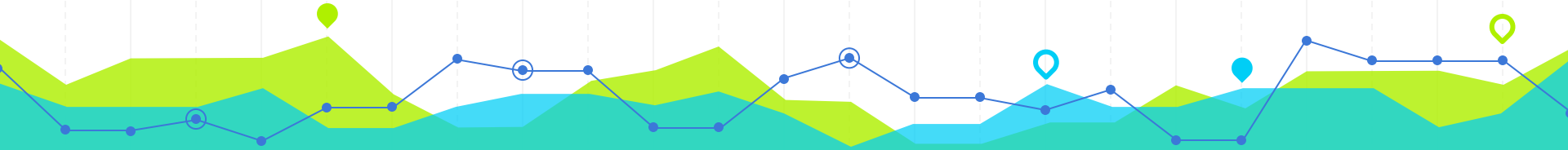




SCEL

Smart Campus Energy Laboratory



# Team Bumblebee Critical Design Review

Kayla Amano, Alex Moore, Rebecca Rupley, Alex Wong

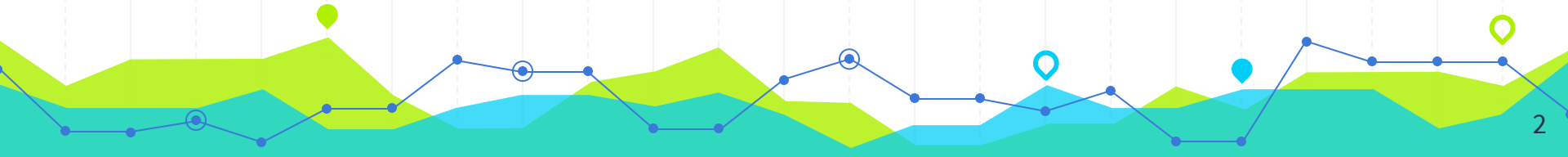


SCEL

Smart Campus Energy Laboratory

# Overview

- Block Diagram
- Team Progress
- Schematic and PCB
- Updated Gantt Chart
- Problems and Solutions
- What we have yet to finish
- Questions

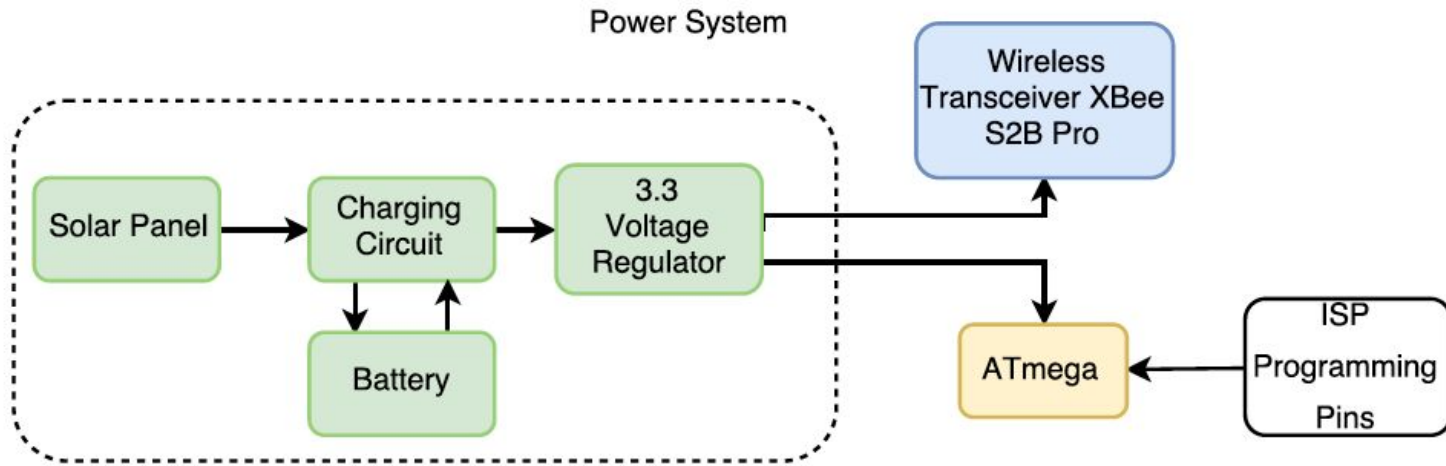




SCEL

Smart Campus Energy Laboratory

# Block Diagram (Power)

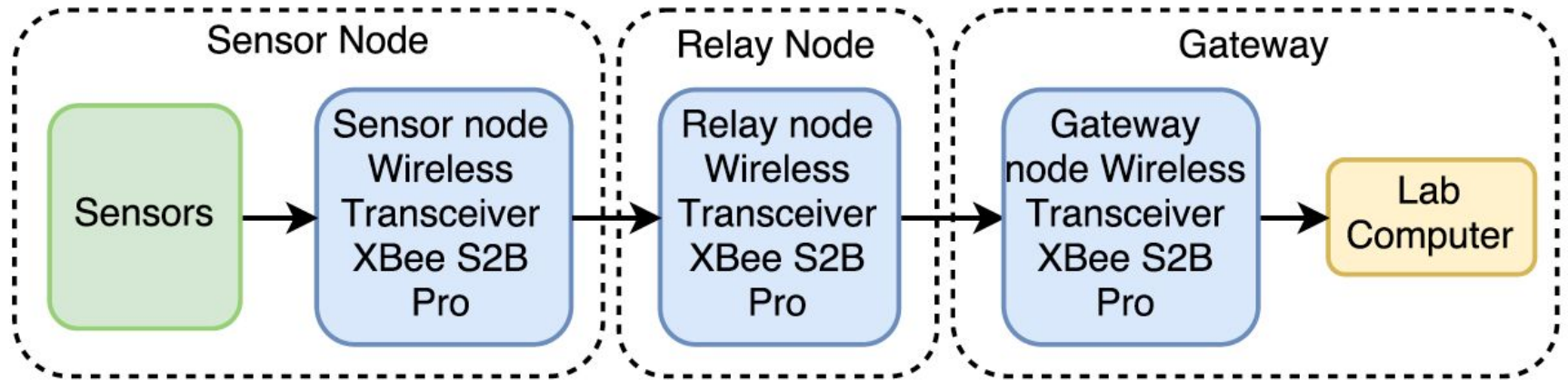




SCEL

Smart Campus Energy Laboratory

# Block Diagram (Signal/Communication)





SCEL

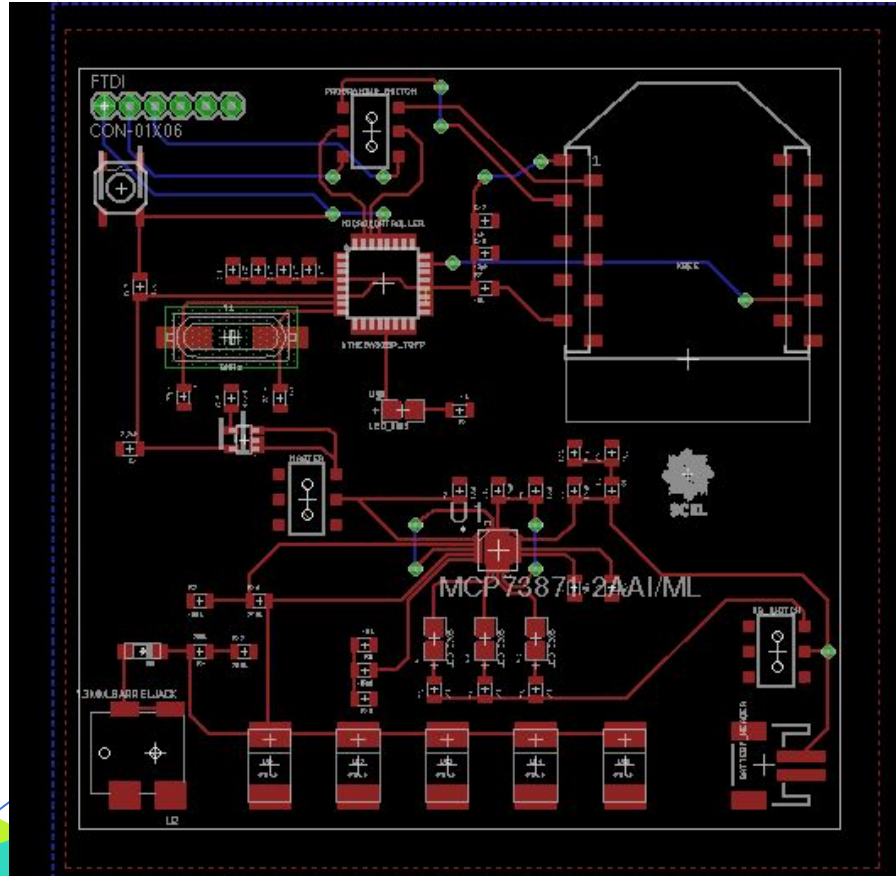
Smart Campus Energy Laboratory

# Team Progress

- Finished populating both boards
- Bootloaded and programmed one PCB
  - Second one is being difficult
- Sample packet relay testing



# PCB Layout





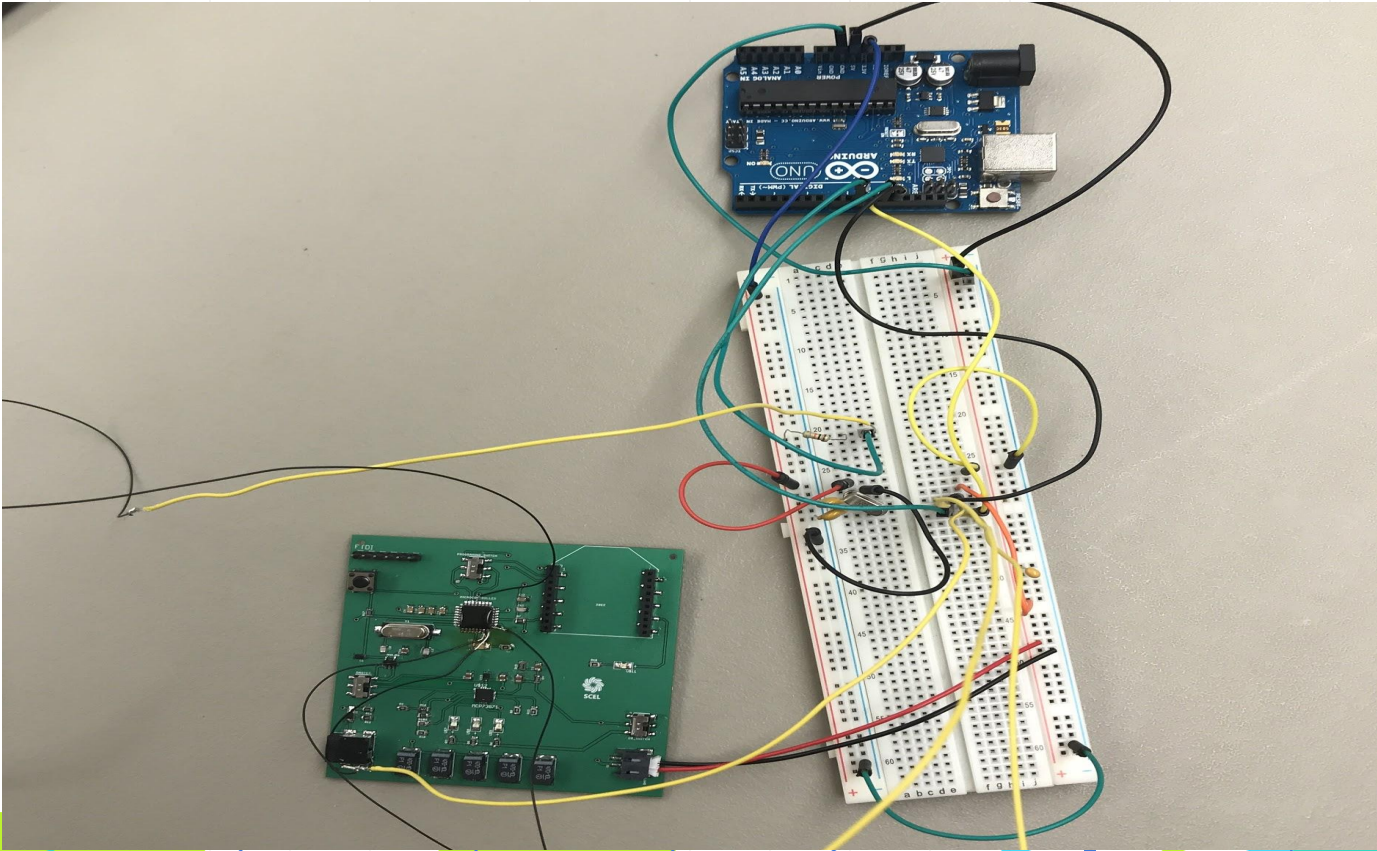
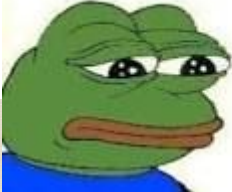
SCEL

Smart Campus Energy Laboratory

# Problems and Solutions

- No ISP programming pins
  - Soldered wires to microcontroller
- Bootloading
  - Worked with Andrew
- Xbee configuration
  - One of the ground solder joints was bad

# Bootloading Setup









SCEL

Smart Campus Energy Laboratory

# What Needs to Be Finished

- Housing
- Bootloading and programming 2nd board
- Actual power budget
- Deploy





SCEL

Smart Campus Energy Laboratory

# QUESTIONS?

