



# **Cranberry**

## **EE496 PDR Presentation**



**Clyde Felix, Emily Kane, Emily Lum**

# Overview



- Cranberry Overview
- Block Diagram
- Team Progress
- Problems
- Remaining Work
- Gantt Chart
- Questions



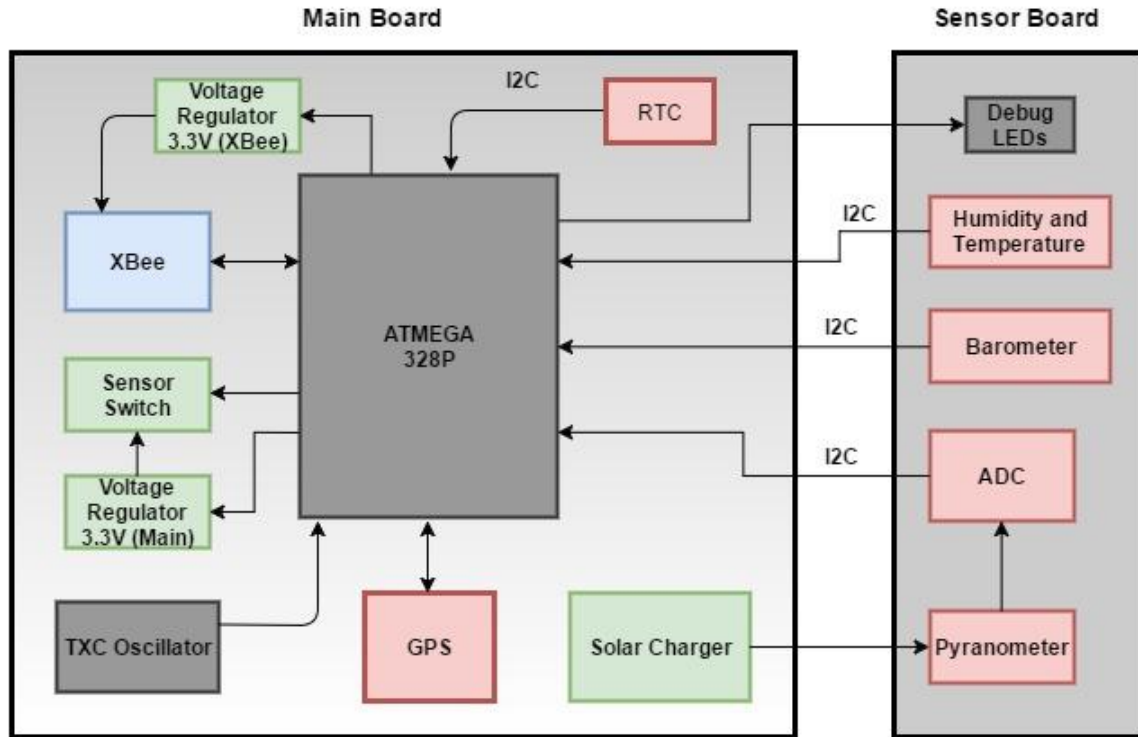
# Cranberry Design Overview



- 2.25" X 2.25" stacked boards
- Top: Sensor Board (v4.1)
- Bottom: Main Board (v4.1)
- Sensors:
  - Solar Irradiance, humidity, temperature, pressure
  - Version 4.1: GPS, real time clock
- Housing Design
  - Housing Team



# Block Diagram



# Team Progress



- Fixed voltage regulator issue
  - ADC was soldered upside down
- Programmed the first board
- Programming the 2nd board



# Problems



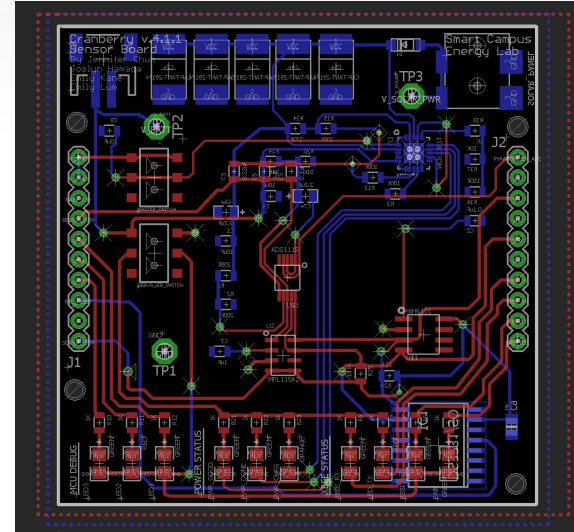
- Programming 4.1 board
  - Voltage regulator outputting  $\sim 1.4V$



# Remaining Work



- Debug 4.1
- Deploy 4.1
- Design 4.2
  - Smaller
  - Mounting holes



# Gantt Chart



	8/20	8/27	9/3	9/10	9/17	9/24	10/1	10/8	10/15	10/22	10/29	11/5	11/12	11/19	11/26	12/3	12/10
Cranberry Update	X	X	X														
Solder 2nd Board (4.1)				X	X	X	X										
Debug 4.1				X	X	X											
Deploy 4.1																	
Design 4.2																	
Documentation																	
Write Final Report																	







**Any Questions?**