



Cranberry

EE496 PDR



Jennifer Chun, Joslyn Hamada, Emily Kane, Emily Lum

Overview



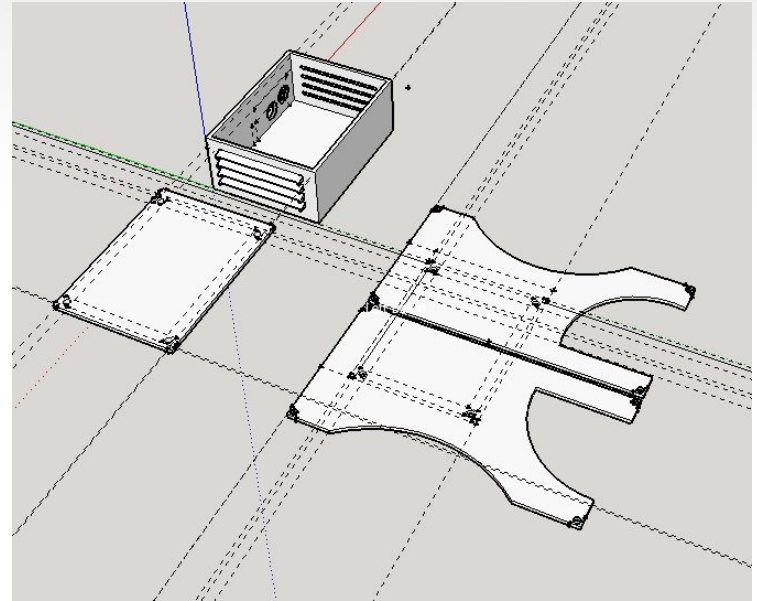
- Cranberry Overview
- Block Diagram
- Team Progress
- Problems
- Remaining Work
- Gantt Chart
- Questions



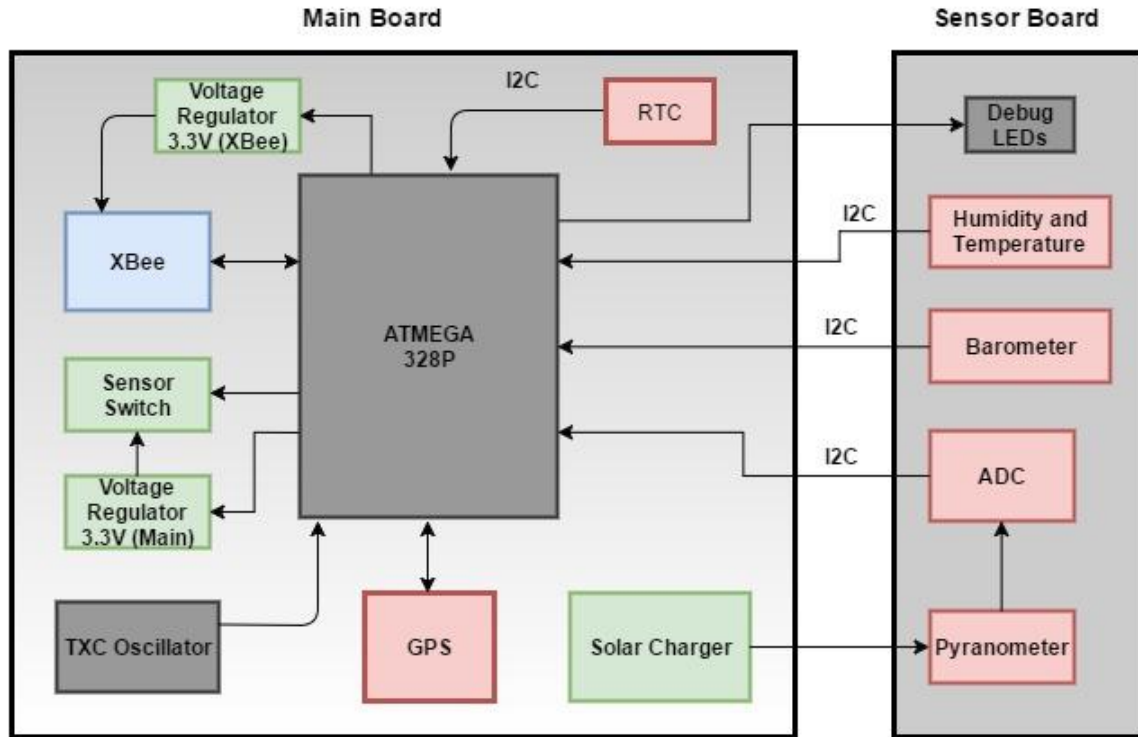
Cranberry Design Overview



- 2.25" X 2.25" stacked boards
- Top: Sensor Board (4v)
- Bottom: Main Board (4v)
- Sensors:
 - Solar Irradiance, humidity, temperature, pressure
 - Version 4.1: GPS, real time clock
- Housing Design
 - Two main parts: box and panels
 - Mounting piece



Block Diagram



Team Progress



- Cranberry v4.1 boards came in
- Debugging solar panel readings on v4.0
- Kane gained more soldering experience
- Lum learned how to communicate using XBEEs





Problems

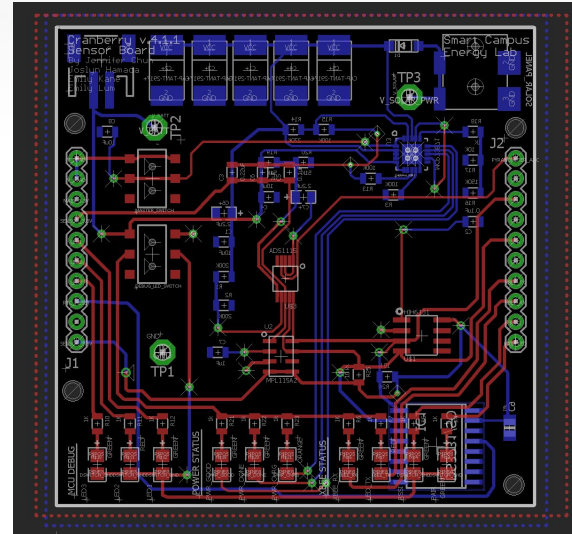
- Solar panel voltage reading still wrong
 - Pulling data from wrong spot
- v4.1 potential rewiring problems



Remaining Work



- Solder new v4.1 boards
- Continue to fix panel reading
- Housing
- Implement GPS & RTC



Gantt Chart



	1/15	1/22	1/29	2/5	2/12	2/19	2/26	3/5	3/12	3/19	3/26	4/2	4/9	4/16	4/23	4/30	5/7
Cranberry Update	X	X															
Implement GPS and RTC																	
Solder 2nd Board (4.0)		X	X														
Debug 2nd Board (4.0)			X	X	X												
Deploy (4.0)																	
Order/Receive Cranberry 4.1				X	X												
Solder Cranberry 4.1																	
Test and Debug 4.1																	
Deploy (4.1)																	
Final Report																	





Any
Questions?

