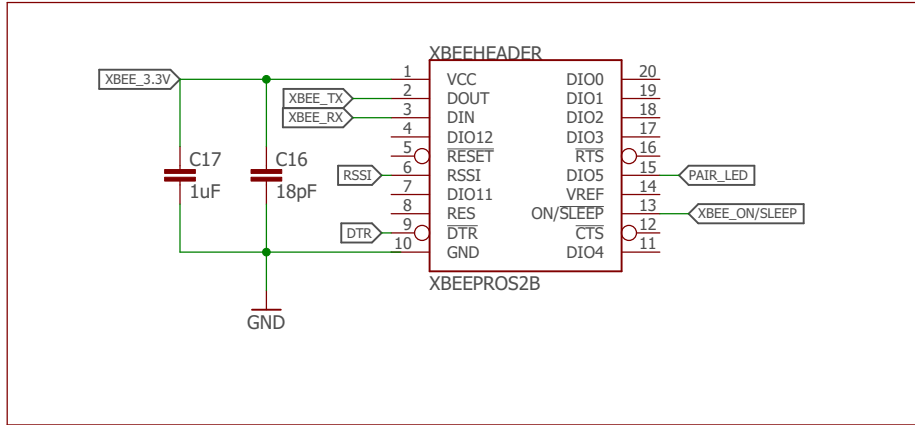
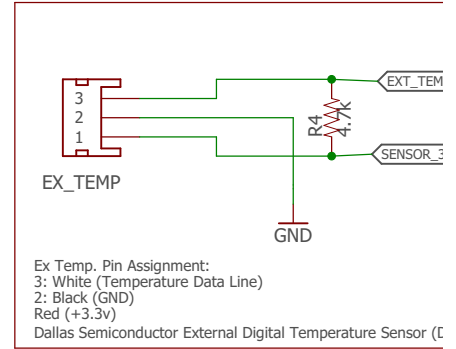


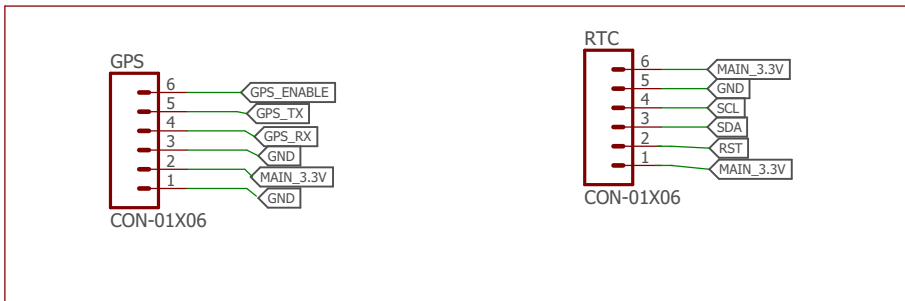
# XBEE COMMUNICATIONS



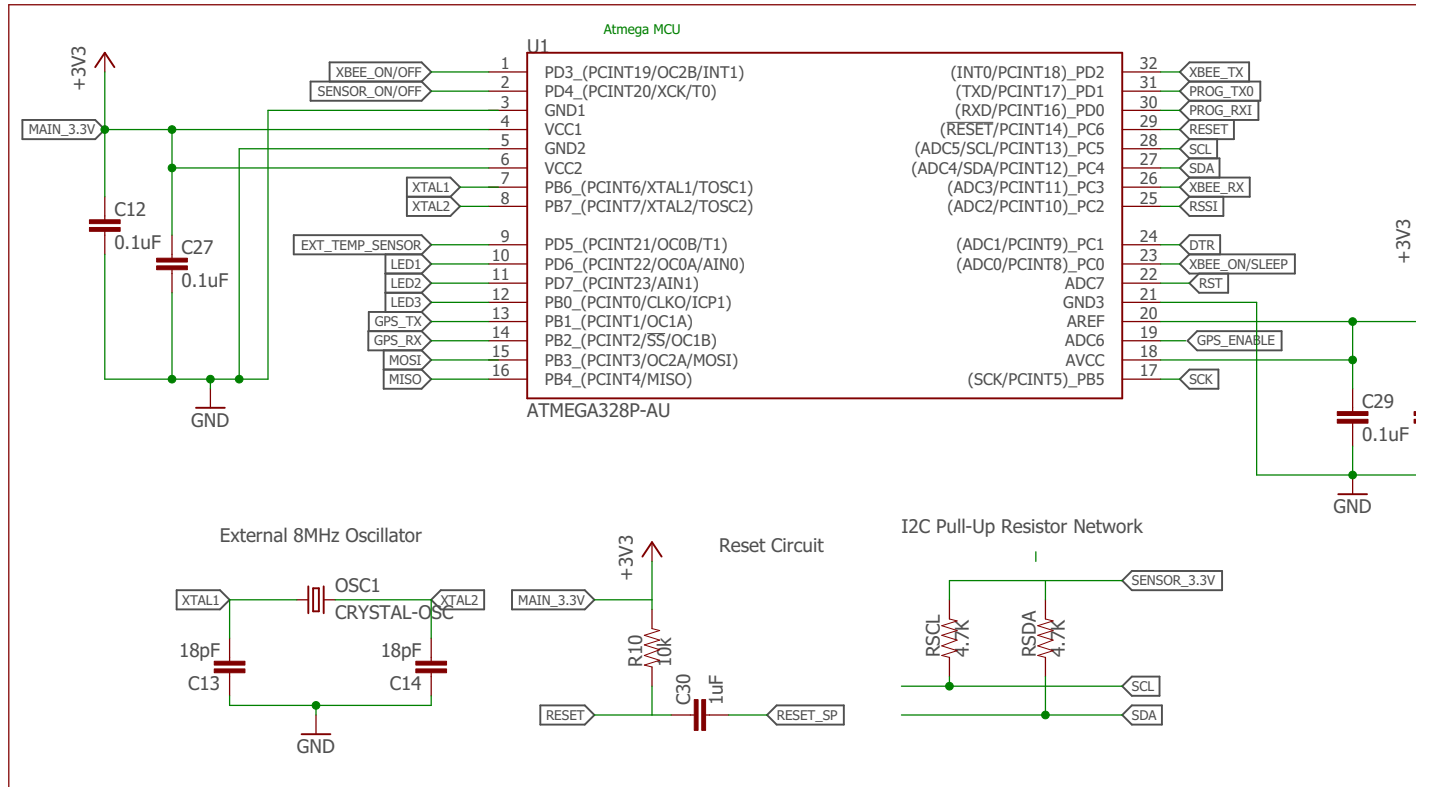
# CONNECTORS



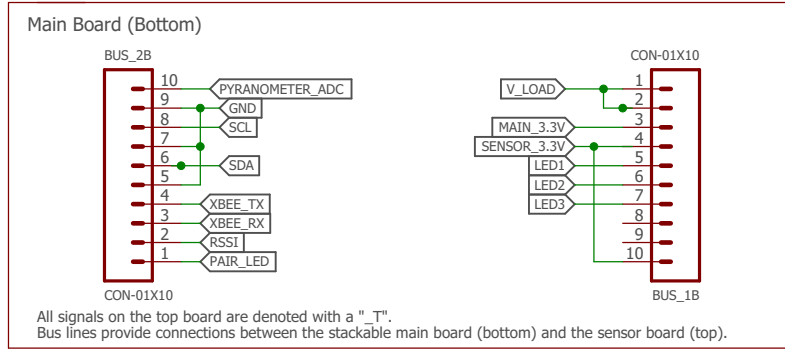
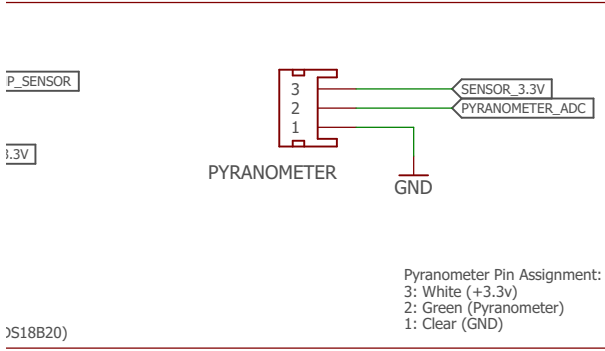
# GPS and REAL TIME CLOCK



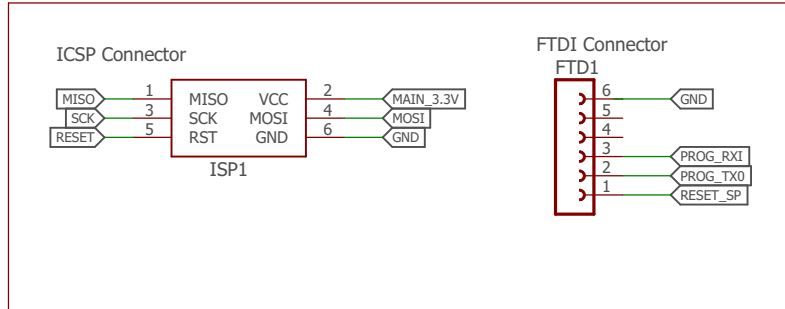
# MICROCONTROLLER



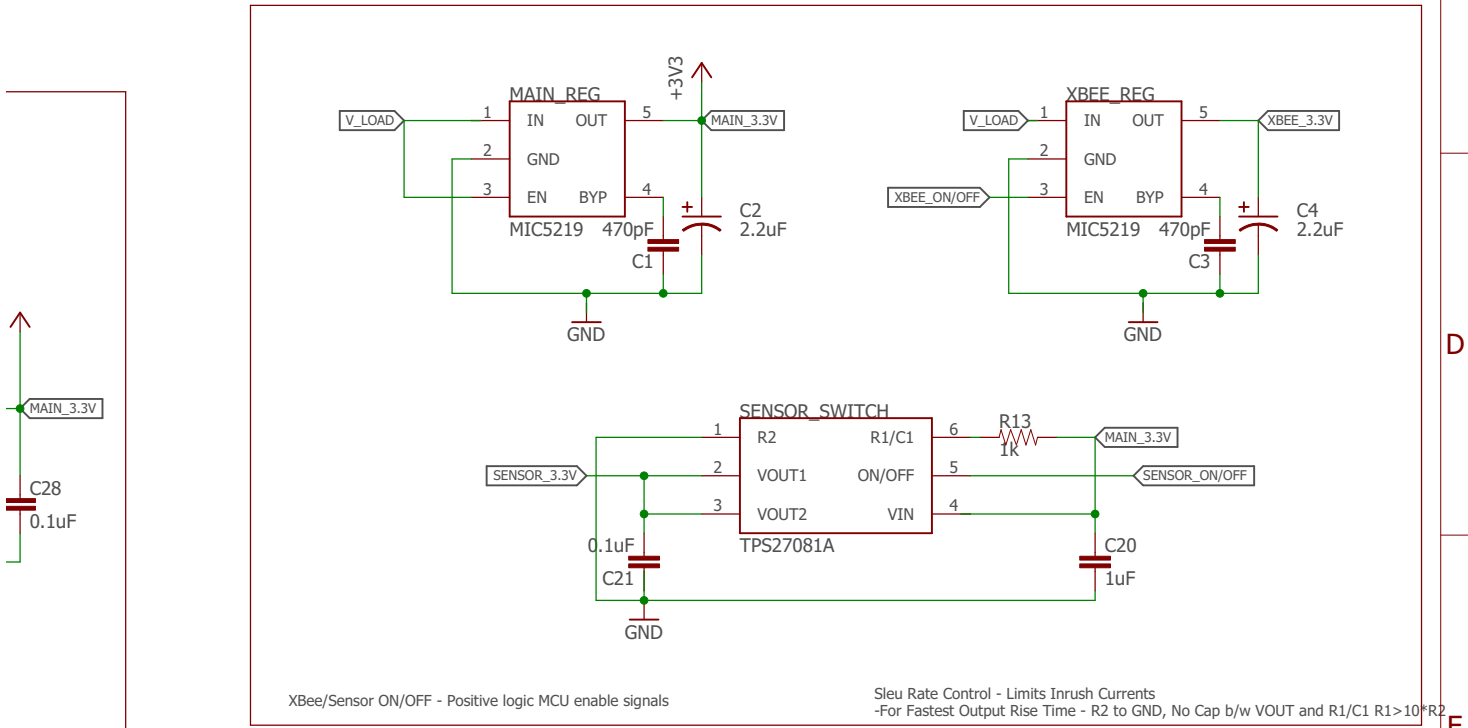
# DEBUGGING ARRAY AND BUS LINE



# PROGRAMMING



# VOLTAGE REGULATION



MAIN BOARD

Cranberry v4.0 Main Board

9/11/2017 3:14 PM

Sheet: 1/1