



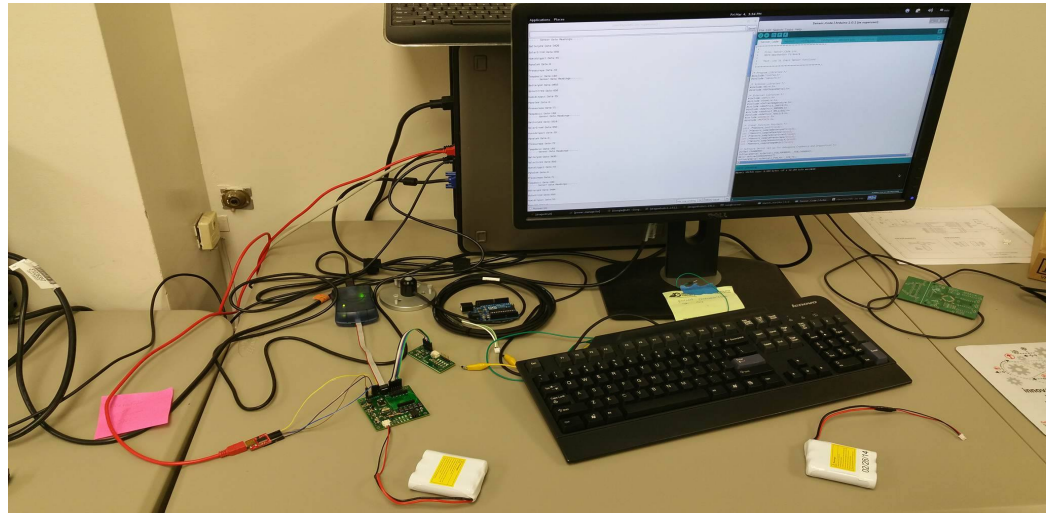
Dragon Fruit

Brian Chan
Garrett Young
March 5, 2016
Advisor: Anthony Kuh



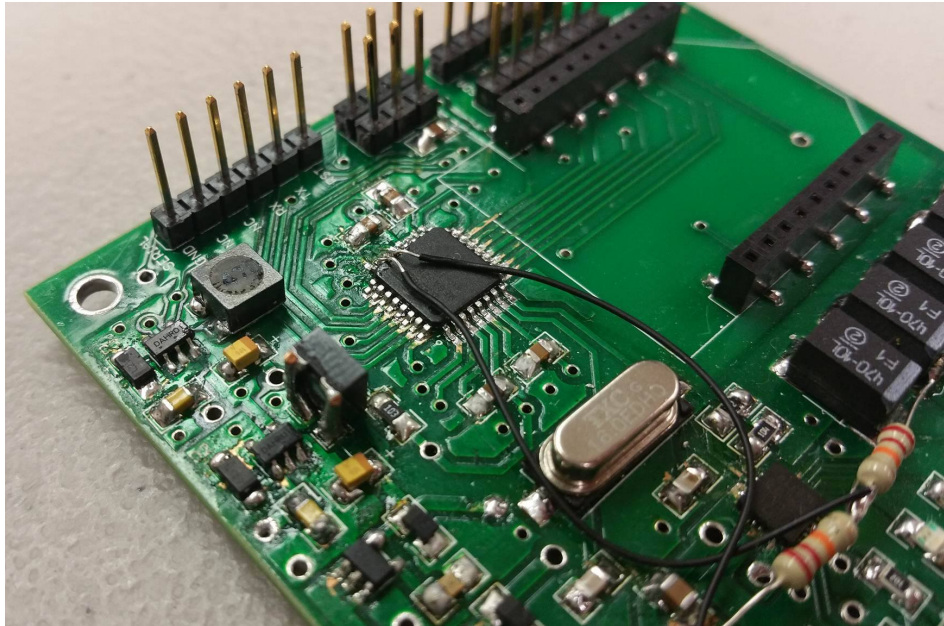
Updates

- Firmware began further investigation and testing
 - Solar irradiance
 - Humidity
 - Pressure





Problems Encountered



Incompatible
inductor (DCR) for
5V boost converter



Where we're at

- Sent out new design for fabrication
 - Added voltage readings from battery and solar panel

```
-----Sensor Data Readings-----
```

```
BatterymV Data:3357
```

```
SolarIrrmV Data:650
```

```
Humiditypct Data:51
```

```
PanelmV Data:175
```

```
Pressurepa Data:71
```

```
Tempdecic Data:190
```

```
-----Sensor Data Readings-----
```

```
BatterymV Data:3406
```

```
SolarIrrmV Data:650
```

```
Humiditypct Data:52
```

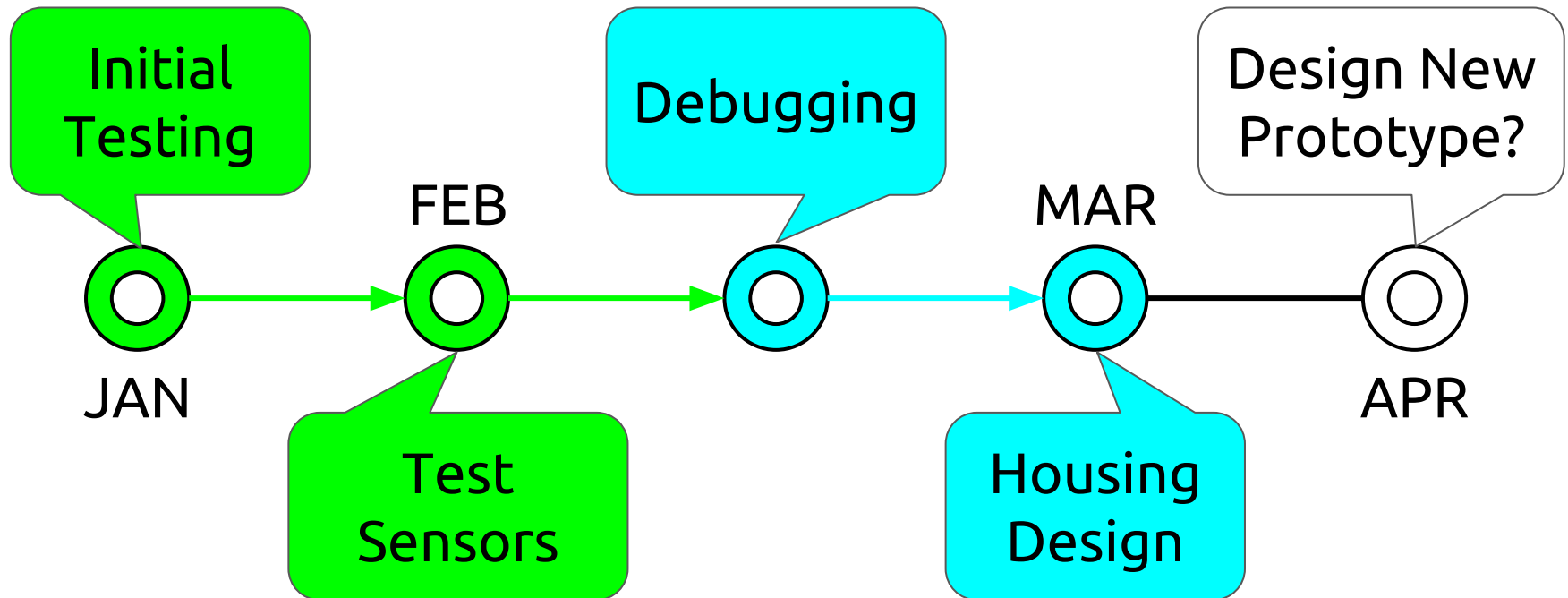
```
PanelmV Data:215
```

```
Pressurepa Data:71
```

```
Tempdecic Data:192
```



Updated Schedule



Questions?
