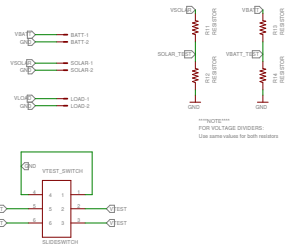


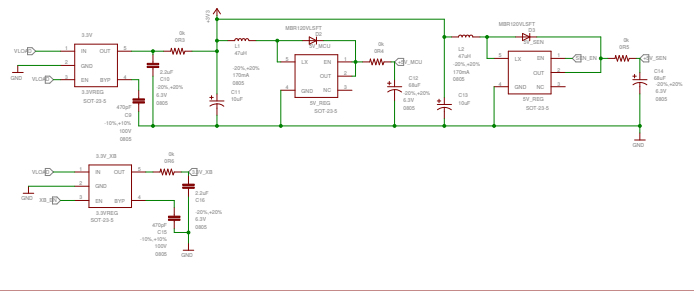
ADAFRUIT CHARGING CHIP



NOTES
FOR VOLTAGE DIVIDERS
Use same values for both resistors

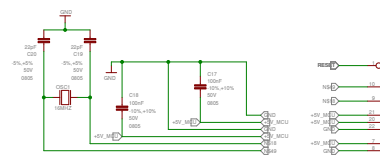
TITLE: practice practice
Document Number: REV:
Date: 2/9/18 1:00 PM Sheet: 1/1

VOLTAGE REGULATION

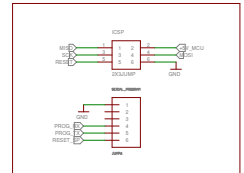


TITLE: practice practice
Document Number: REV:
Date: 2/9/18 1:00 PM Sheet: 1/1

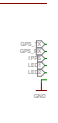
MICROCONTROLLER



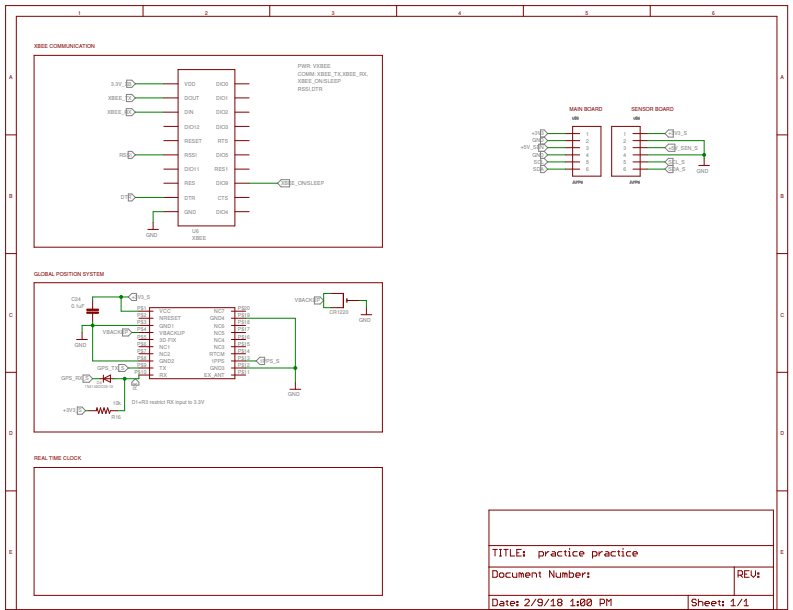
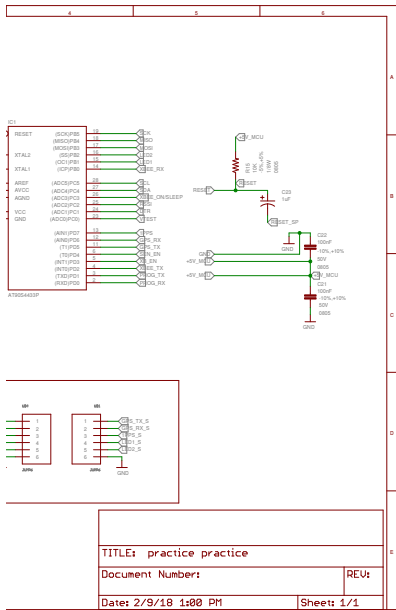
PROGRAMMING



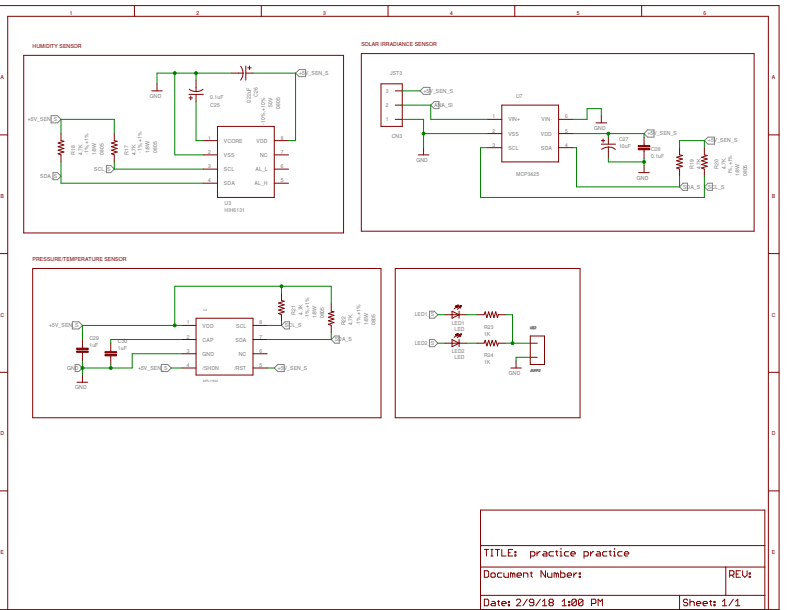
DEBUGGING



TITLE: practice practice
Document Number: REV:
Date: 2/9/18 1:00 PM Sheet: 1/1



TITLE: practice practice
 Document Number: REV:
 Date: 2/9/18 1:00 PM Sheet: 1/1



TITLE: practice practice
 Document Number: REV:
 Date: 2/9/18 1:00 PM Sheet: 1/1