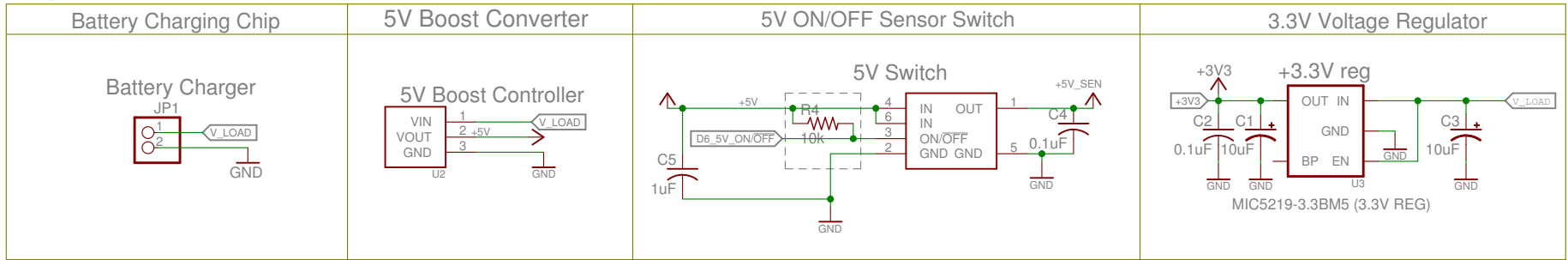
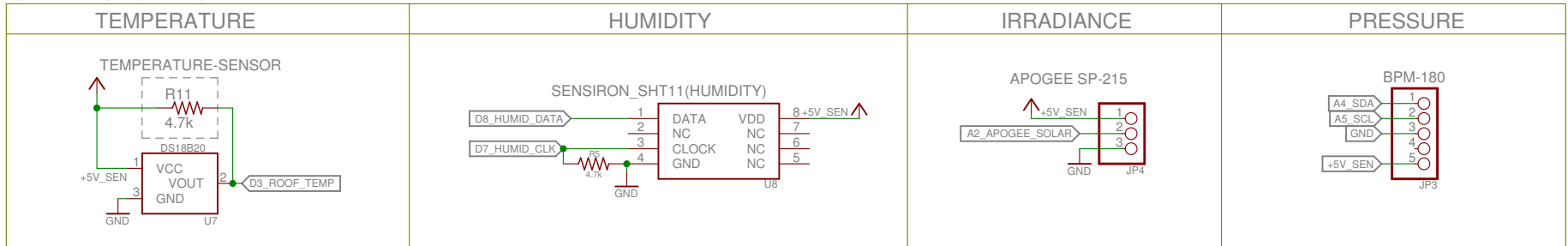


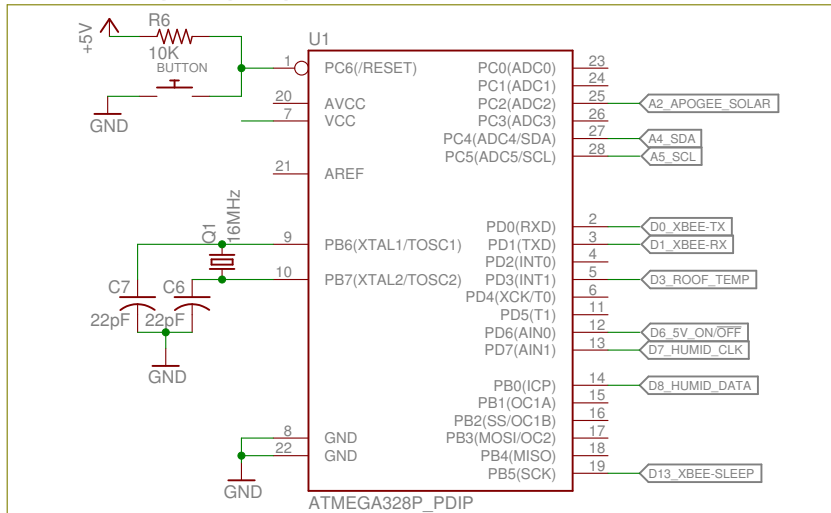
POWER



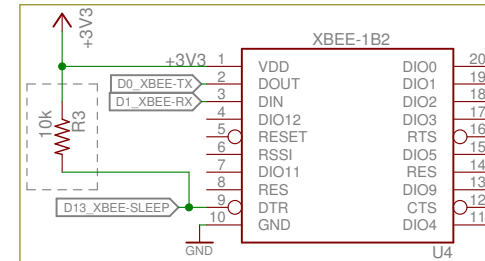
SENSORS



ATMEGA328P



XBEE



Rooftop Sensor Board

TITLE: REIS 296 Weatherbox Schematic

Document Number: Spring '16 Ver.1

REV:

Date: 1/28/16 4:47 PM

Sheet: 1/1