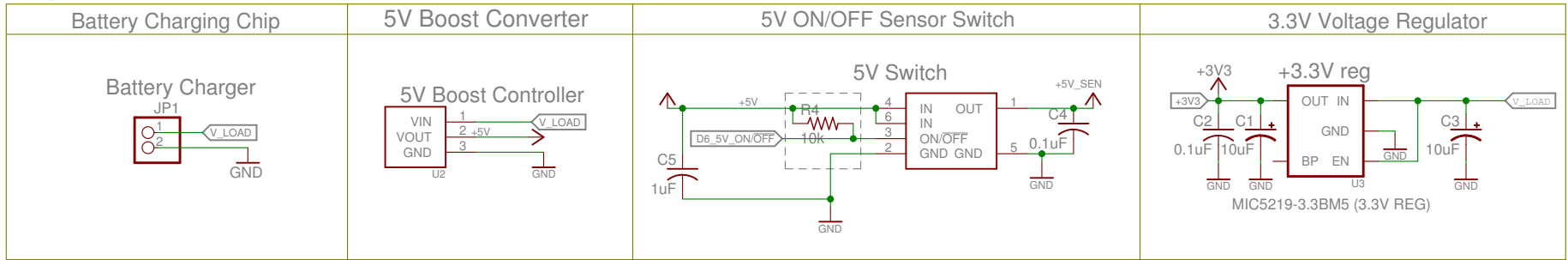
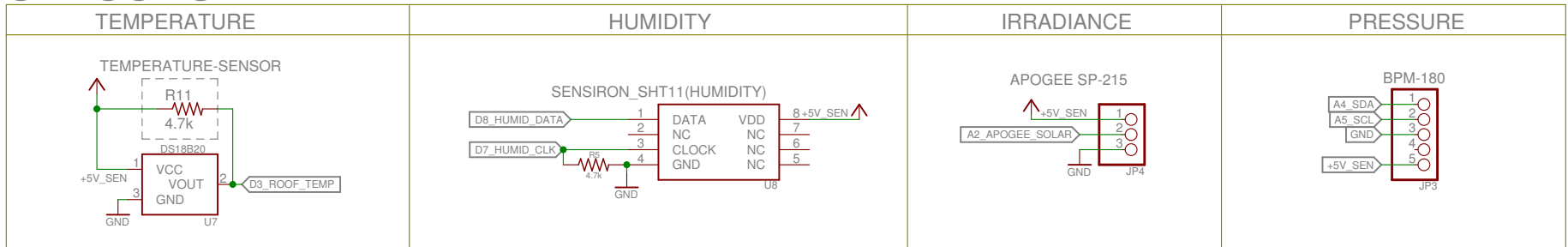


POWER

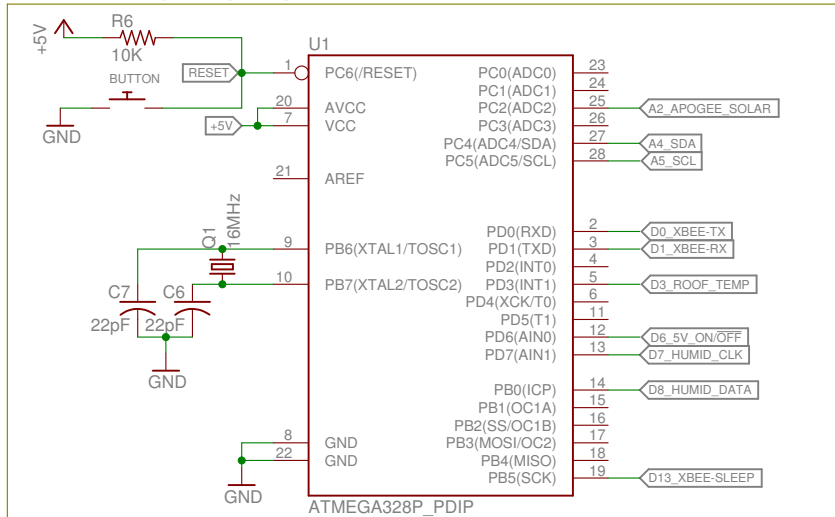


SENSORS

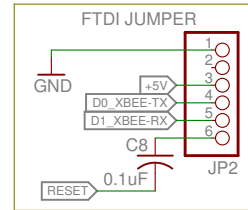
Power from 5V Sensor Switch



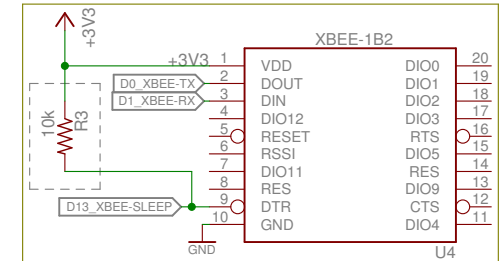
ATMEGA328P



FTDI



XBEE



Rooftop Sensor Board

TITLE: REIS 296 Weatherbox Schematic

Document Number: Spring '16 Ver.1

REV:

Date: 2/11/16 5:19 PM

Sheet: 1/1