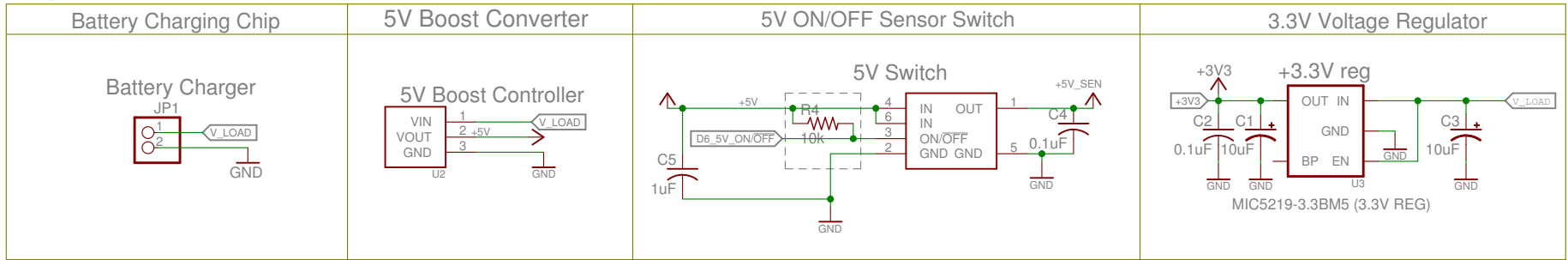
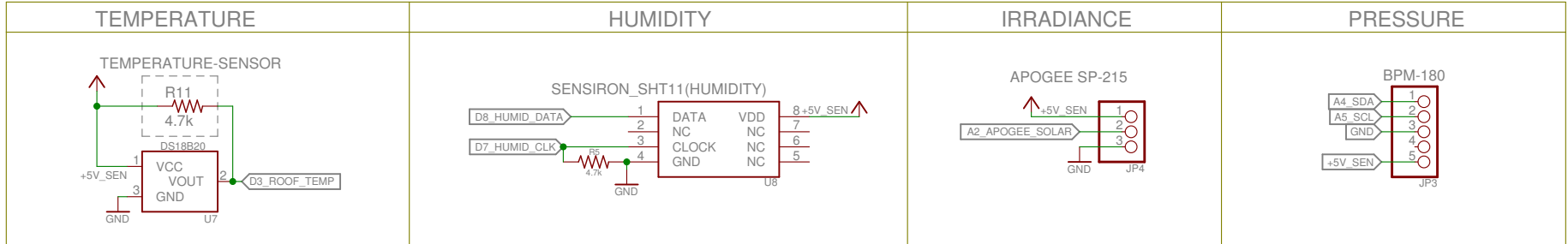


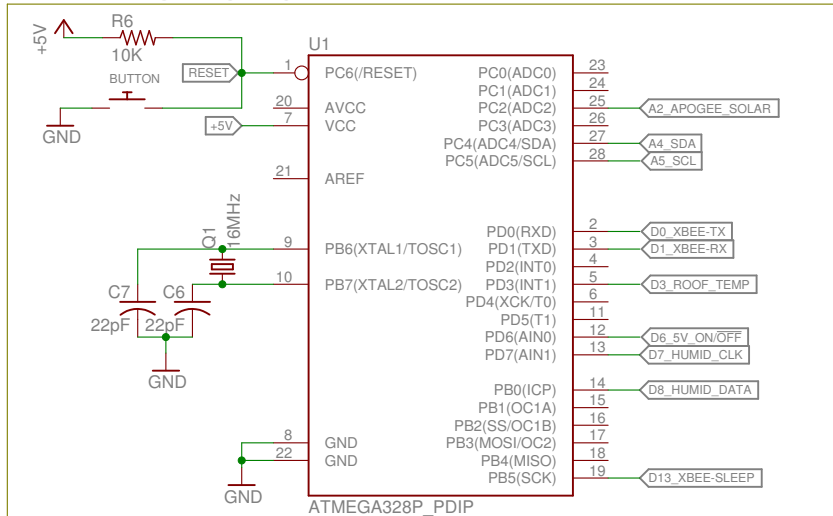
# POWER



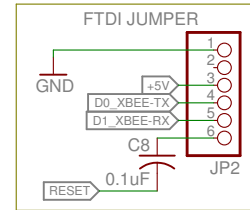
# SENSORS



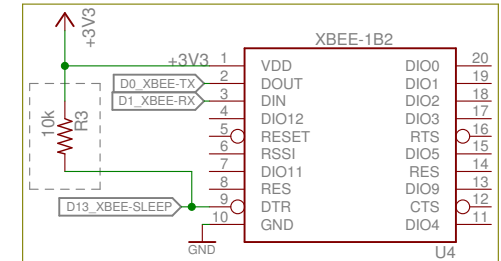
# ATMEGA328P



# FTDI



# XBEE



## Rooftop Sensor Board

TITLE: REIS 296 Weatherbox Schematic

Document Number: Spring '16 Ver.1

REV:

Date: 1/29/16 4:27 PM

Sheet: 1/1