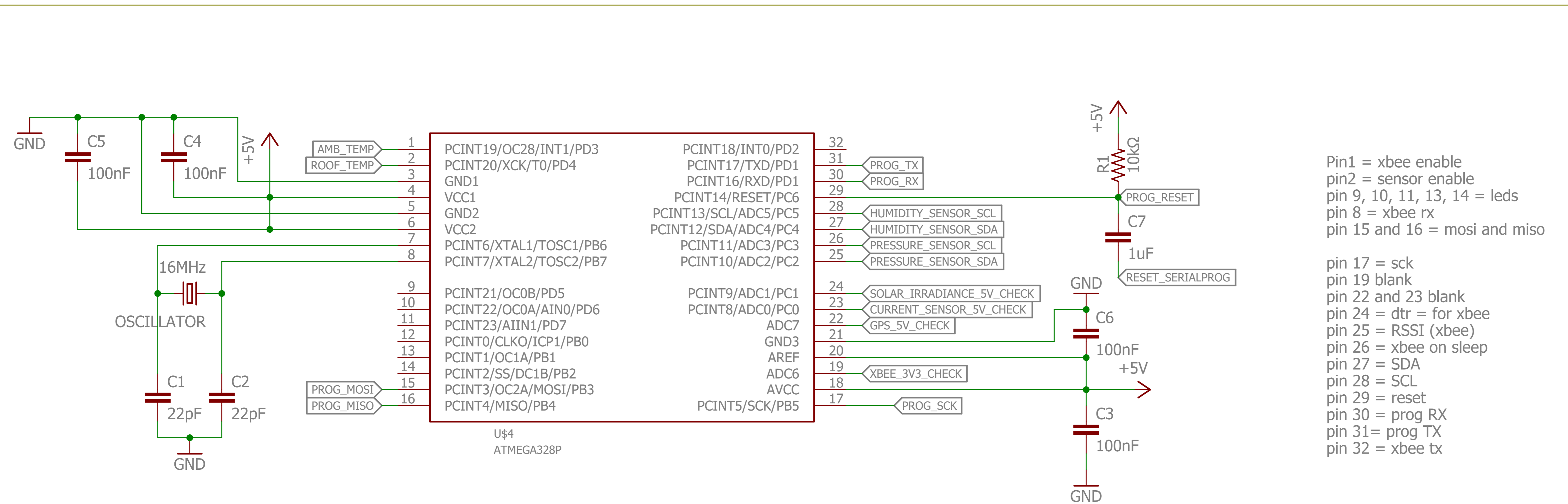


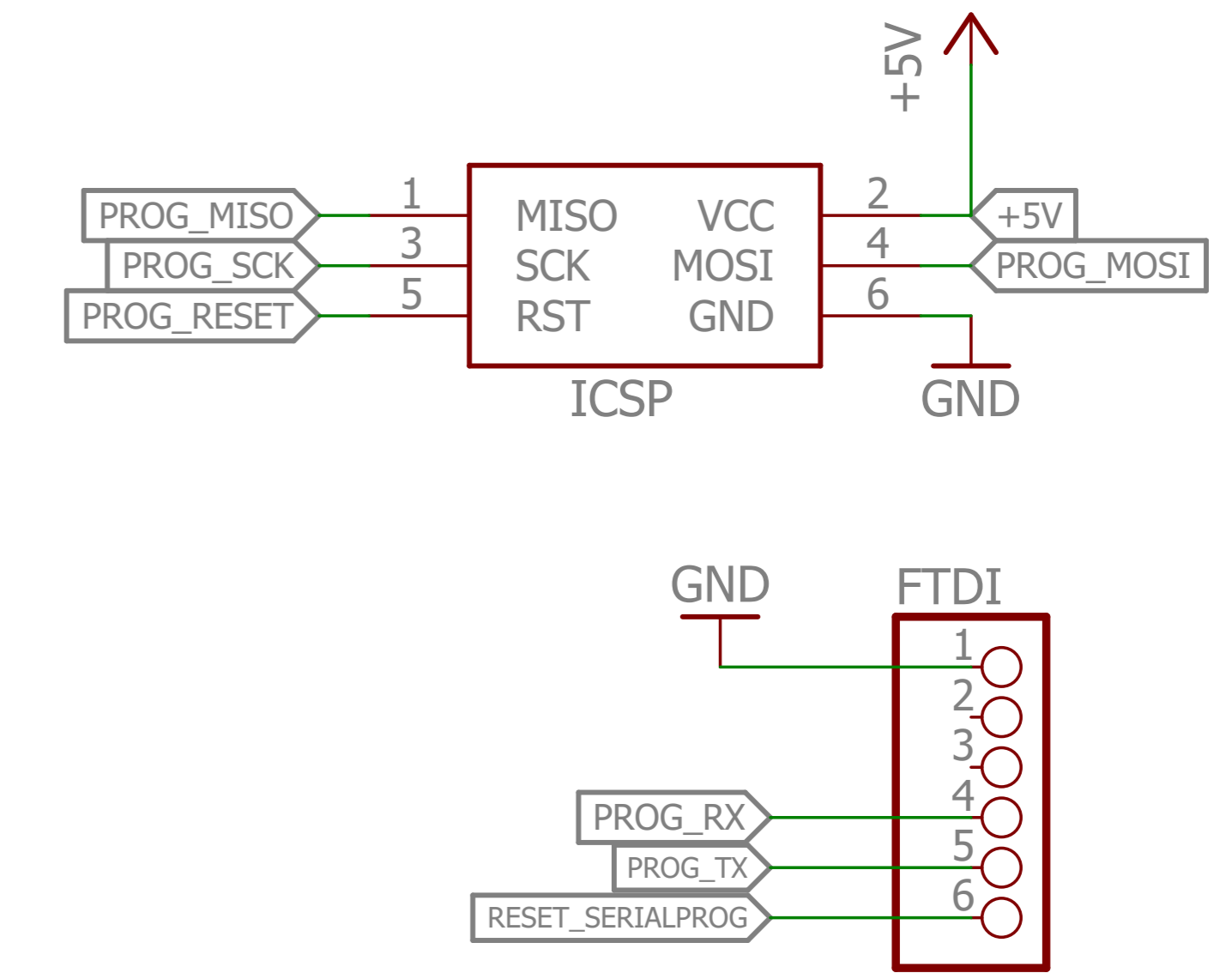
ATMEGA328P-PU



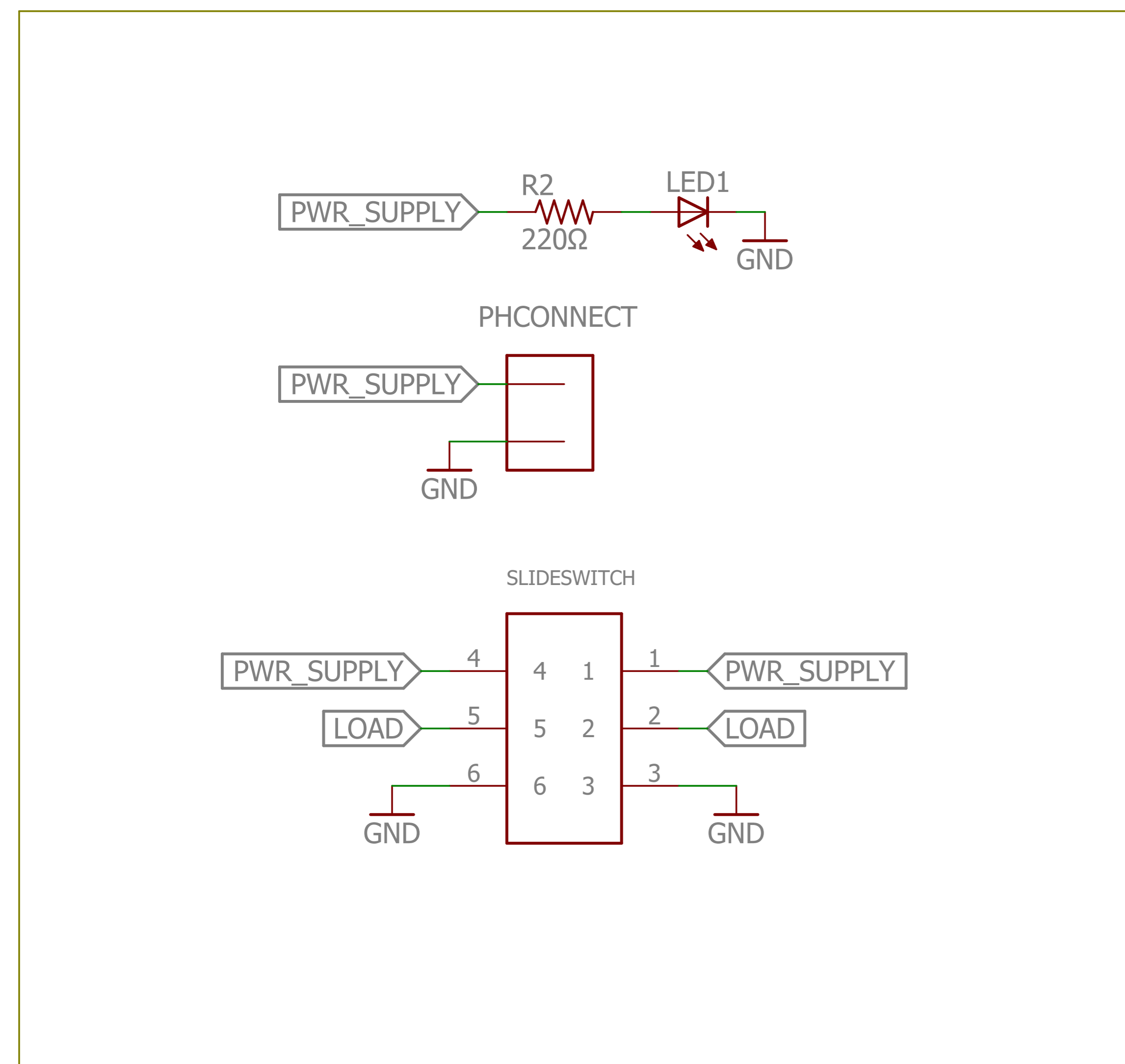
Pin1 = xbee enable
 pin2 = sensor enable
 pin 9, 10, 11, 13, 14 = leds
 pin 8 = xbee rx
 pin 15 and 16 = mosi and miso

pin 17 = sck
 pin 19 blank
 pin 22 and 23 blank
 pin 24 = dtr = for xbee
 pin 25 = RSSI (xbee)
 pin 26 = xbee on sleep
 pin 27 = SDA
 pin 28 = SCL
 pin 29 = reset
 pin 30 = prog RX
 pin 31 = prog TX
 pin 32 = xbee tx

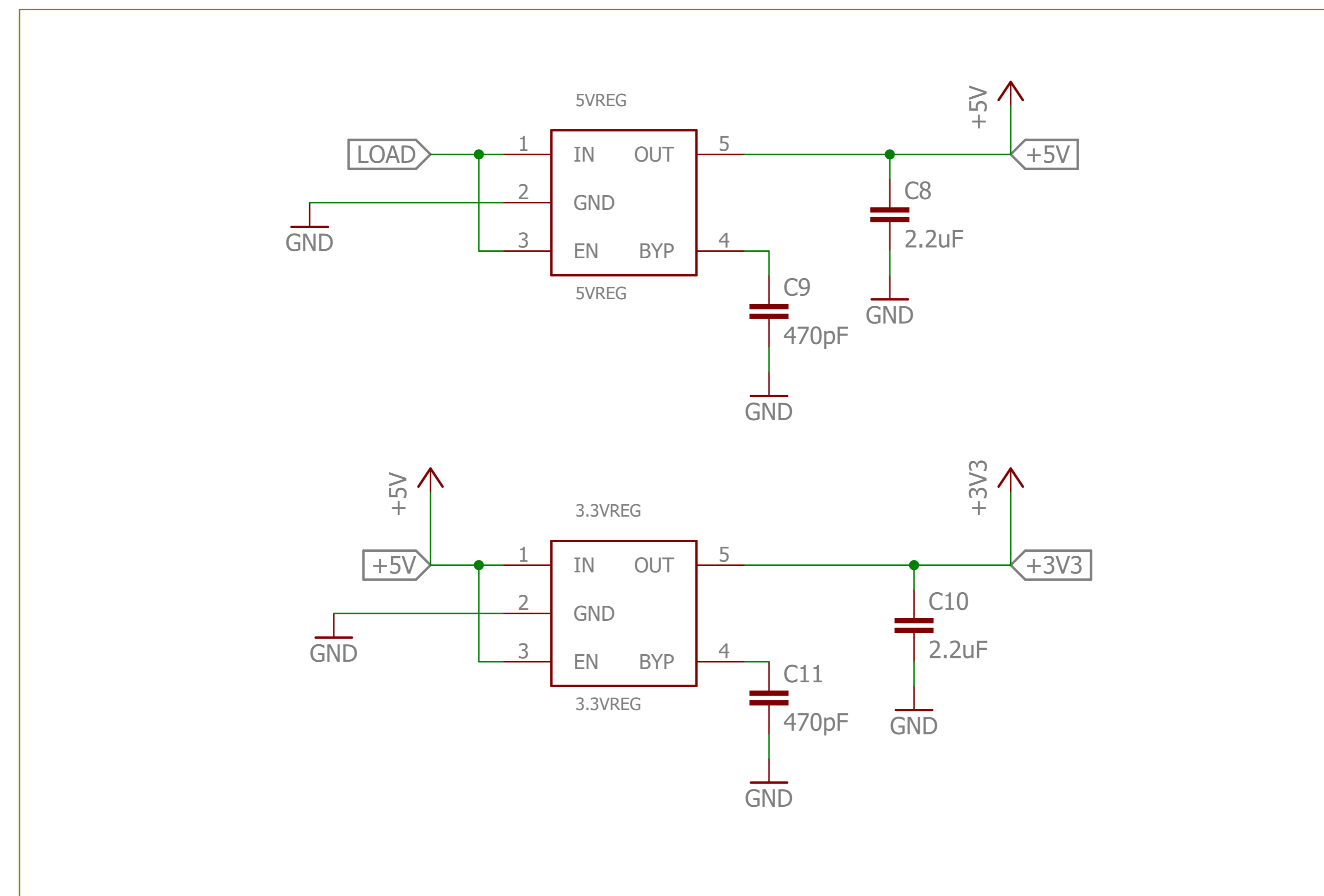
Programmer



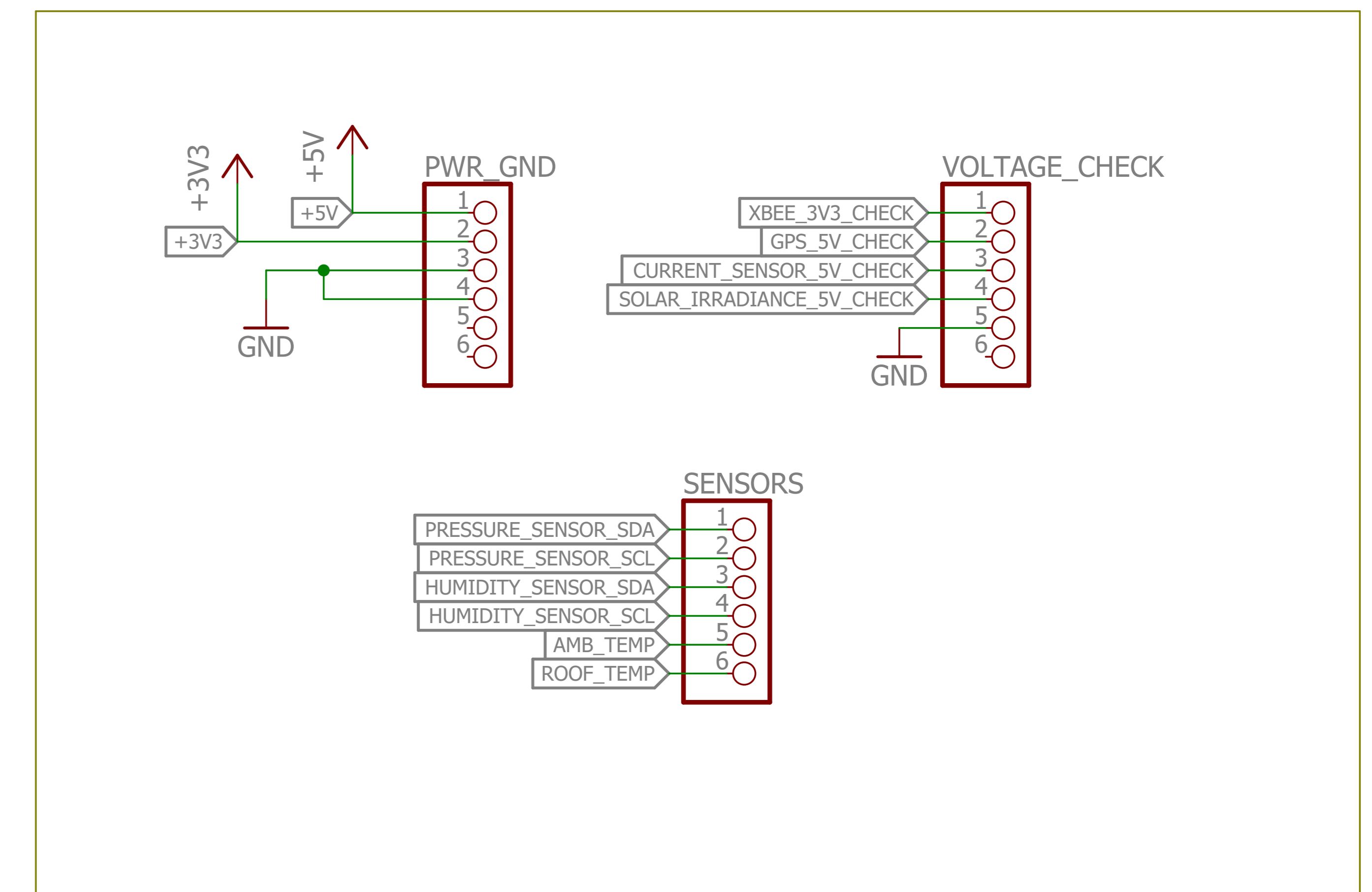
Power Supply



Voltage Regulators



Verification Pins



Title: Verification Board
 Version: VerificationBoard_R27MC
 Last Modified: Tuesday - Apr 5, 2016 1:10 PM
 Drawn By: May Chen, Kristie Lee Sheet: 1/1