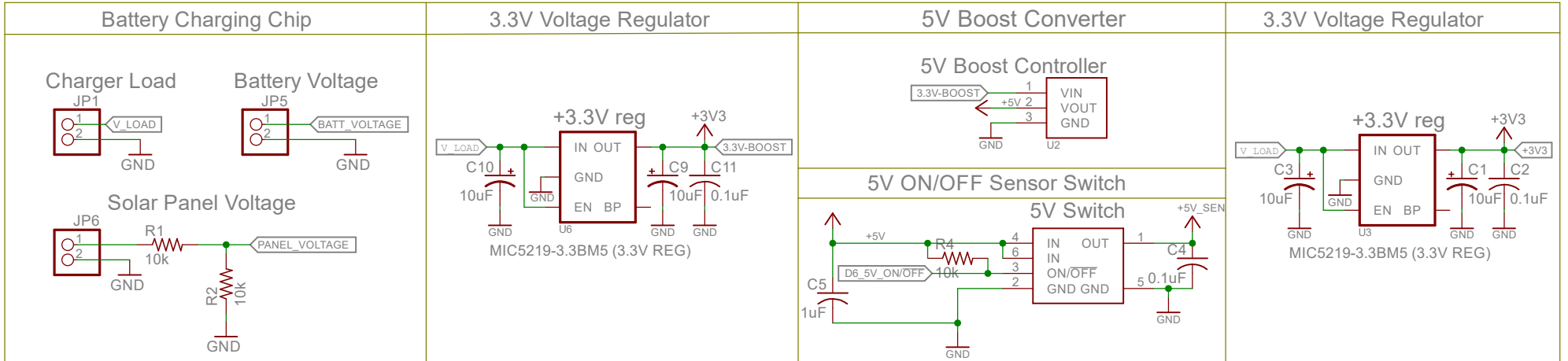
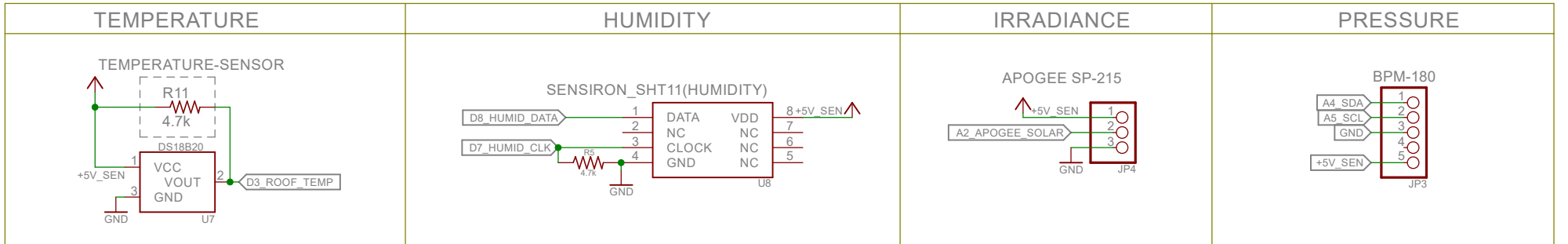


POWER

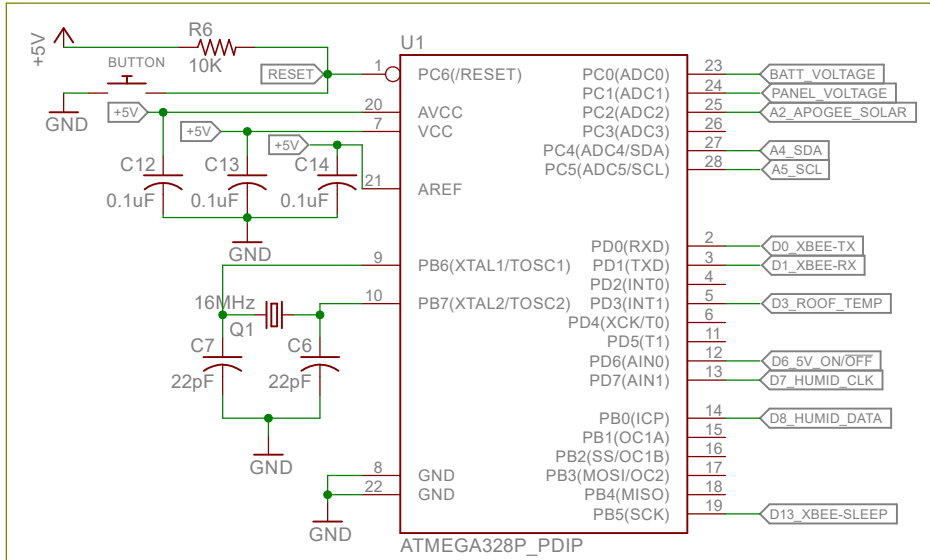


SENSORS

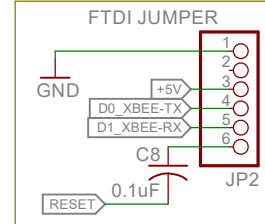
Power from 5V Sensor Switch



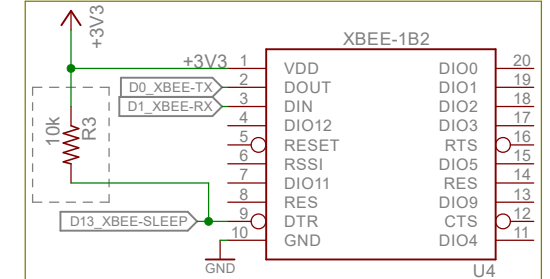
ATMEGA328P



FTDI



XBEE



Rooftop Sensor Board

TITLE: REIS 296 Weatherbox Schematic (2)

Document Number: Spring '16 Ver.1 REV:

Date: 3/31/2016 6:13:34 PM

Sheet: 1/1