



SCEL

Smart Campus Energy Laboratory

Overview

- Updated Block Diagram
- Team Progress
- Updated Gantt Chart
- Problems
- What we have yet to finish?
- Questions

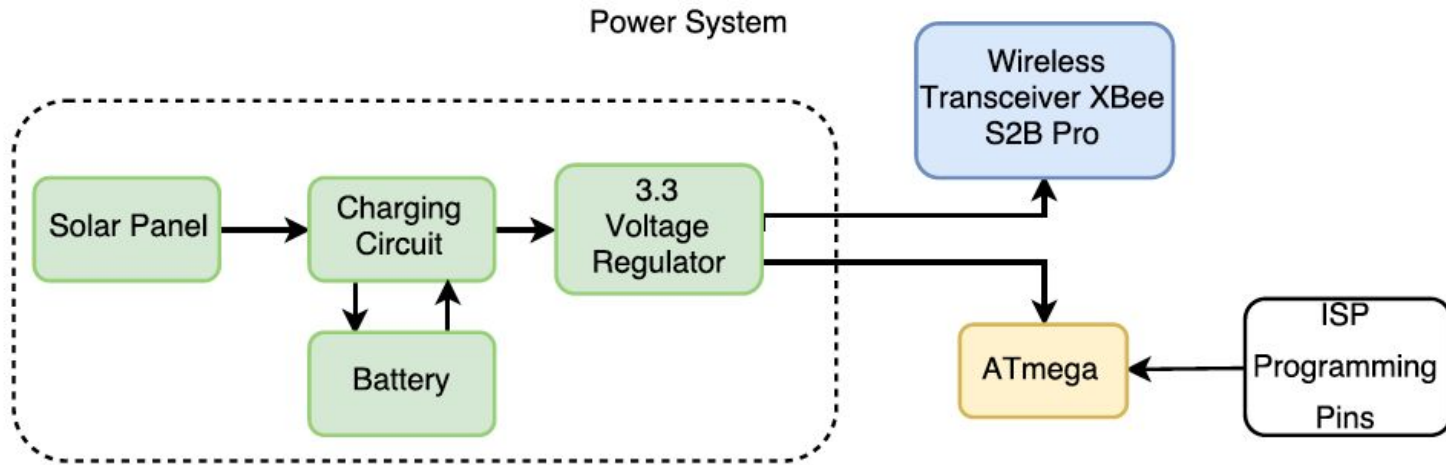




SCEL

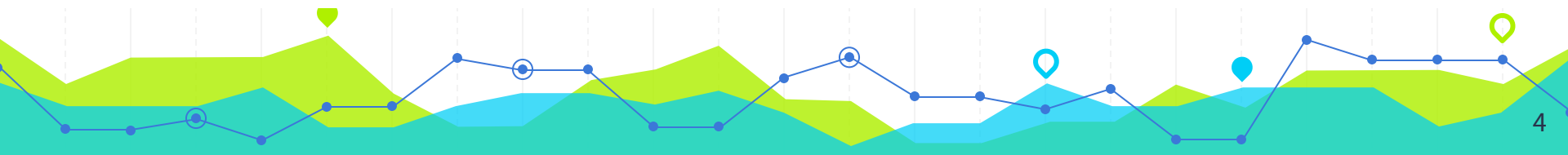
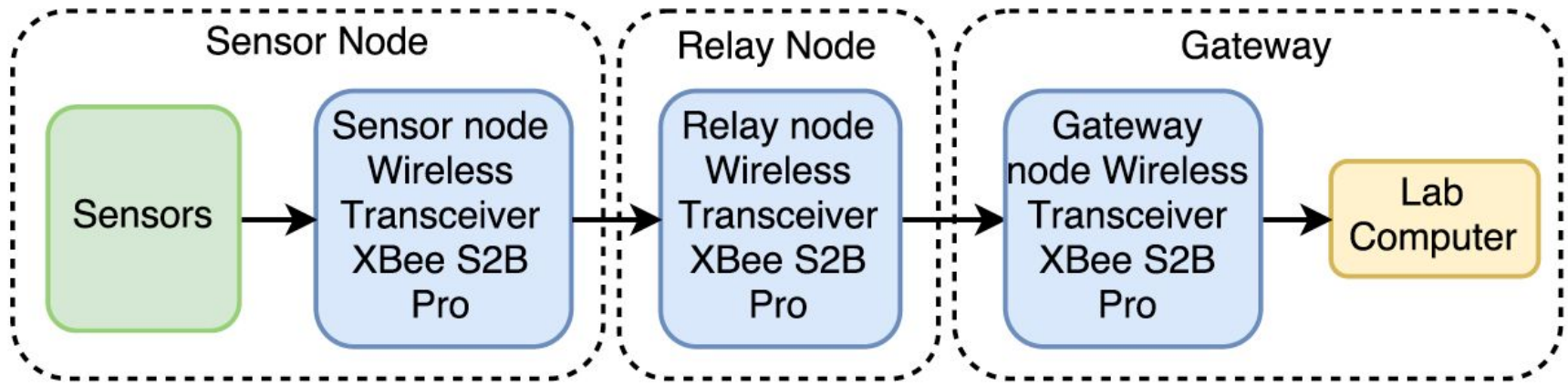
Smart Campus Energy Laboratory

Block Diagram (Power)





Block Diagram (Signal/Communication)





SCEL

Smart Campus Energy Laboratory

Team Progress

- Completed Schematic
- Completed Board layout

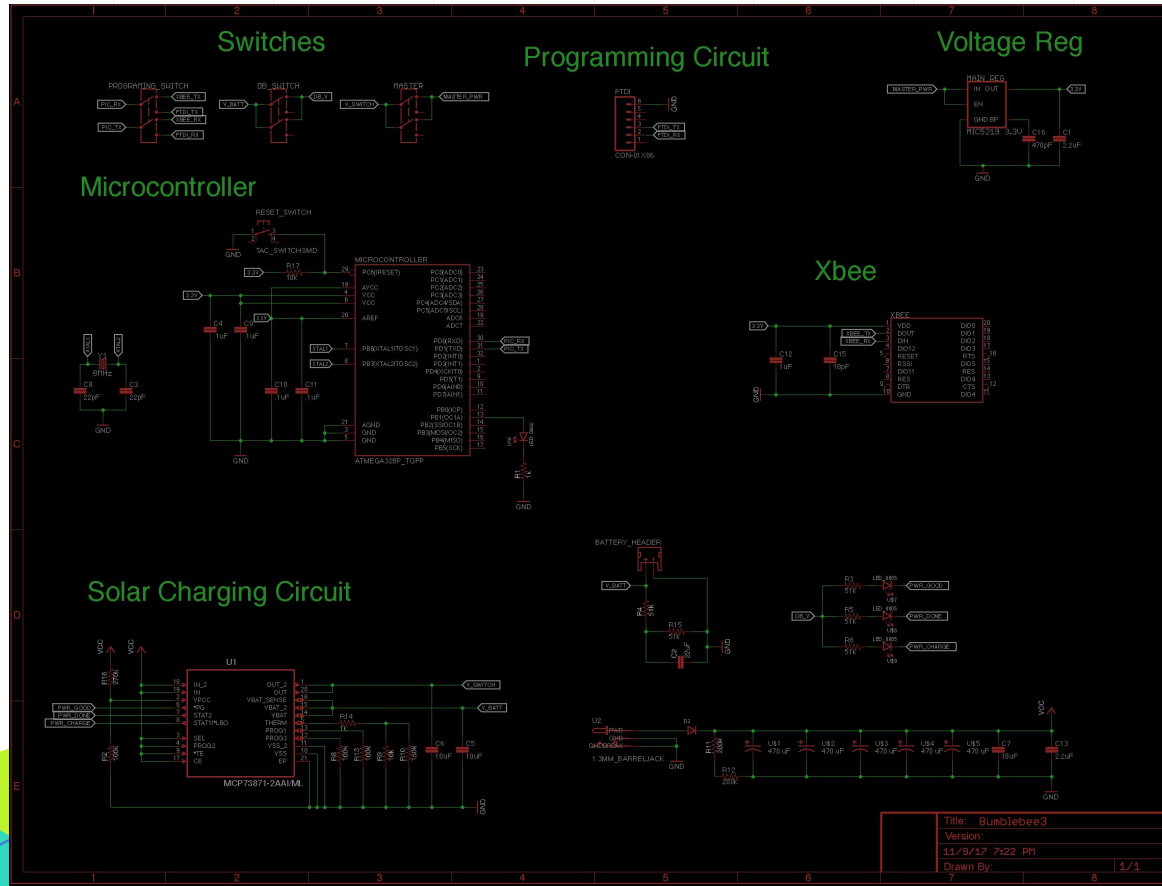


PCB Schematic

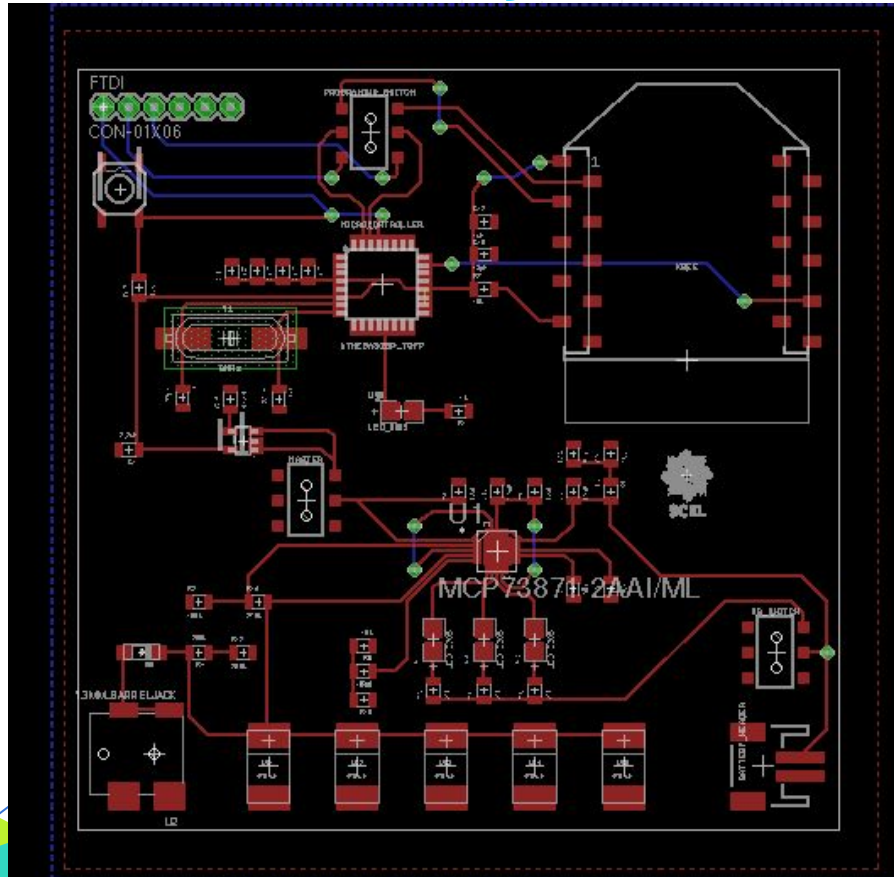


SCEL

Smart Campus Energy Laboratory



PCB Layout





SCEL

Smart Campus Energy Laboratory

Updated Gantt Chart

Week	1	2	3	4	5	6	7	8	9	10	11	12	13	14	15
	Sep-4	Sep-11	Sep-18	Sep-25	Oct-2	Oct-9	Oct-16	Oct-23	Oct-30	Nov-6	Nov-13	Nov-20	Nov-27	Dec-4	Dec-11
Presentations															
Proposal Presentation			Sep-23												
Preliminary Design Review						Oct-14									
Critical Design Review										Nov 10					
Final Presentation														Dec-2	
VIP poster session										Nov 8					
EE496 Poster Session													Nov 30		
PCB Design															
Schematic															
Board Layout															
Review															
Fabrication/Assembly															
Fabrication Time															
Populating															
Testing															
Housing															
Design															
Fabrication															
Networking															
Final Report															



SCEL

Smart Campus Energy Laboratory

Resolved Problems

- Received Cranberry's Eagle library





SCEL

Smart Campus Energy Laboratory

Problems/Issues

- First time using Eagle
- Final tweaks to Board Layout/Schematic



SCEL

Smart Campus Energy Laboratory

What Needs to Be Finished

- Send out PCB to be fabricated
- Design housing
- Conduct range testing
- Populate PCB



SCEL

Smart Campus Energy Laboratory

QUESTIONS?

