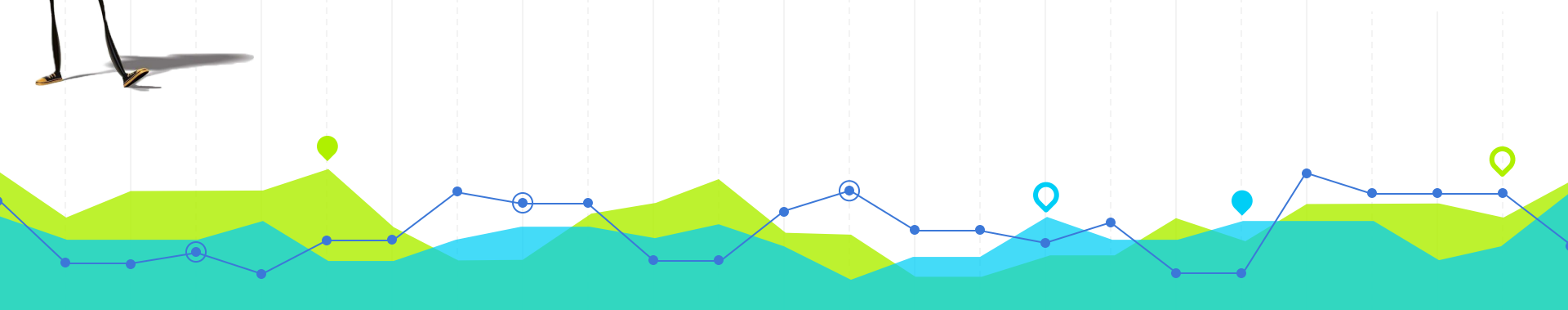




SCEL

Smart Campus Energy Laboratory



Team Bumblebee Spring 2018 Preliminary Design Review

Kayla Amano, Alex Moore, Rebecca Rupley, Alex Wong



SCEL

Smart Campus Energy Laboratory

Presentation Overview

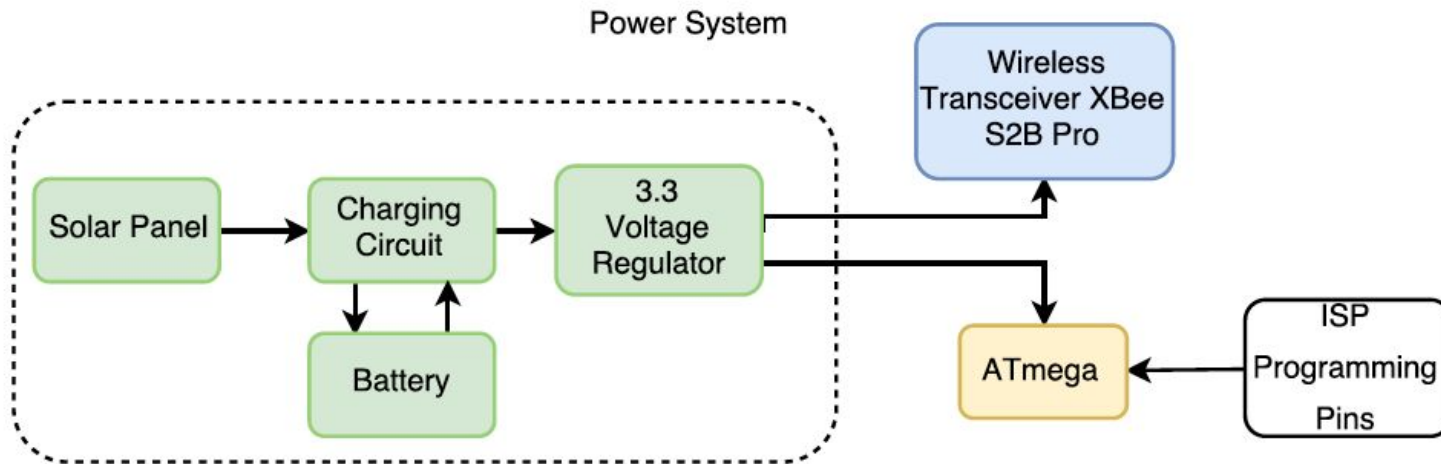
- Block Diagrams
 - Power
 - Signal/Communication
- Team Progress
- Schematic
- PCB
- Problems
- Gantt Chart
- What Needs To Be Finished



SCEL

Smart Campus Energy Laboratory

Block Diagram (Power)

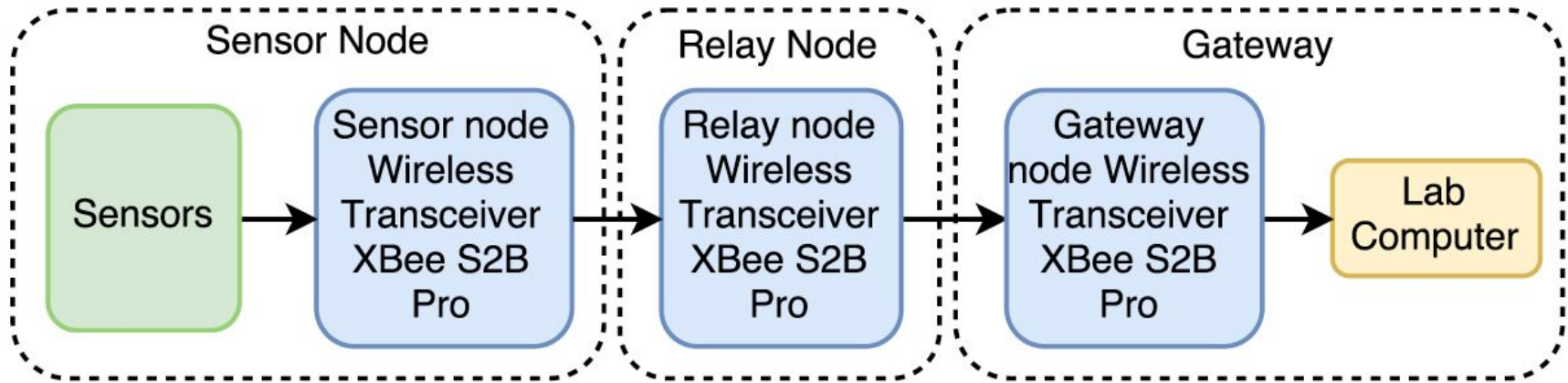




SCEL

Smart Campus Energy Laboratory

Block Diagram (Signal/Communication)





SCEL

Smart Campus Energy Laboratory

Team Progress

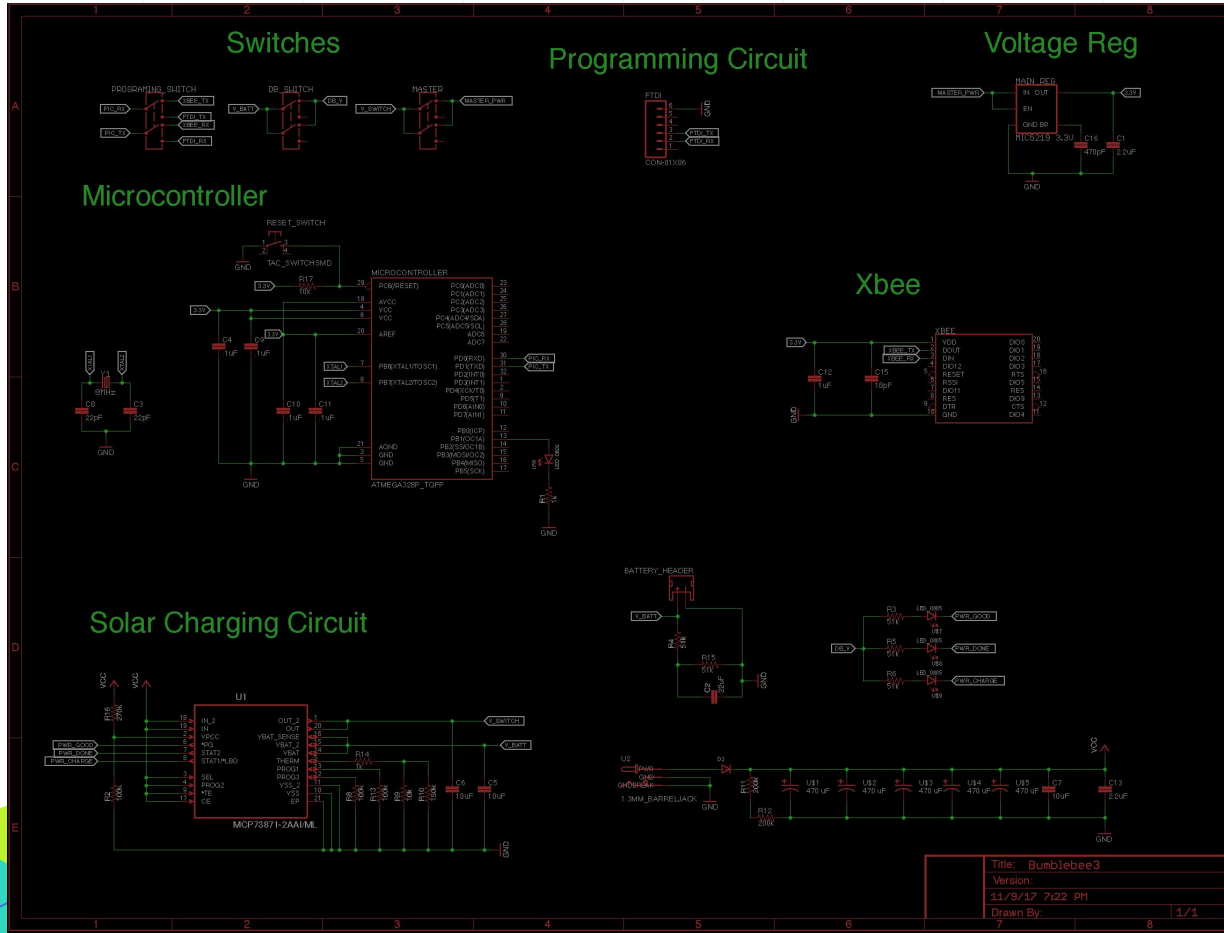
- Populated PCBs
 - One done, one almost done
- Met with housing team
- Started looking at firmware



SCEL

Smart Campus Energy Laboratory

Schematic



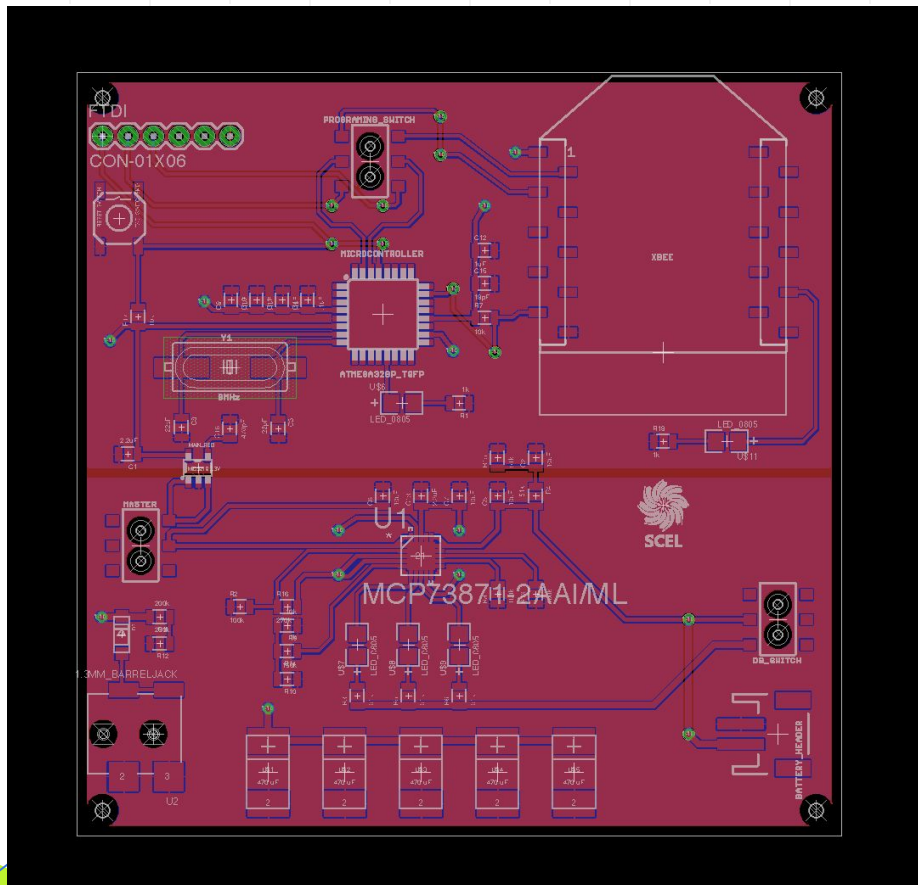


PCB Design



SCEL

Smart Campus Energy Laboratory



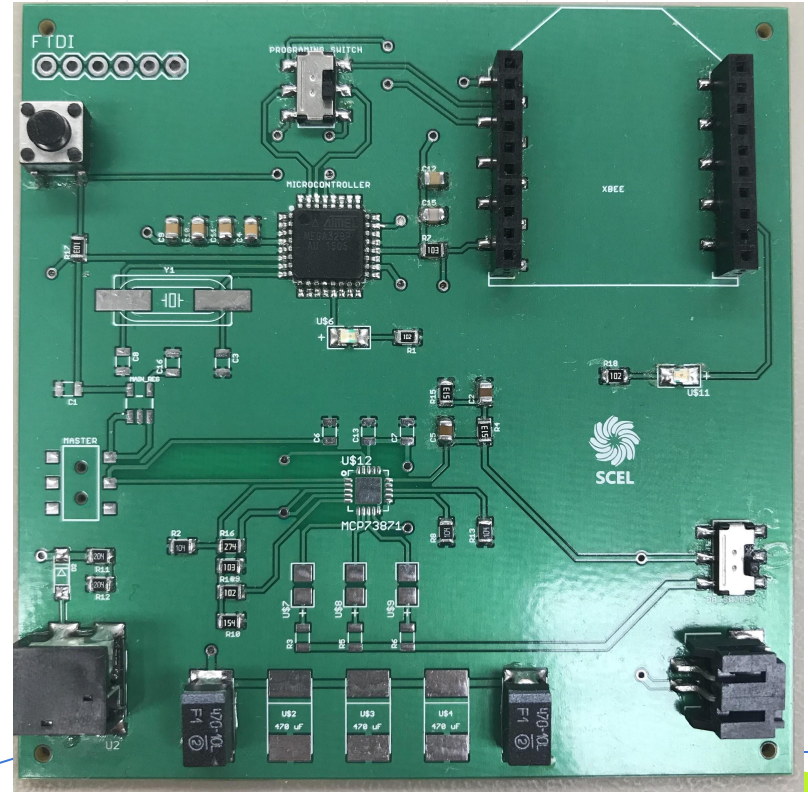
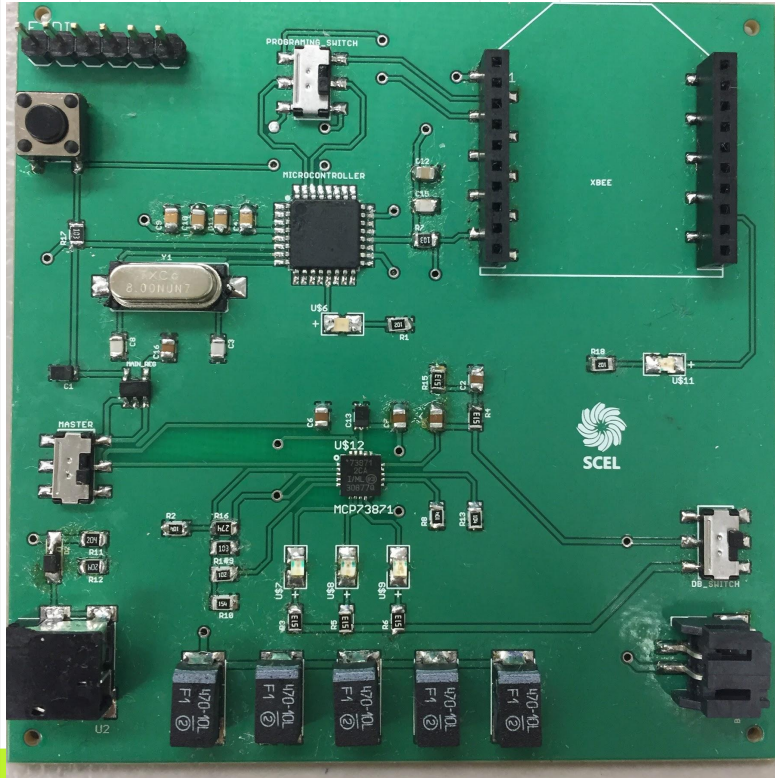


PCBs



SCEL

Smart Campus Energy Laboratory





SCEL

Smart Campus Energy Laboratory

Problems

- Used wrong parts list for first PCB attempt
- First time soldering surface mount components
 - Microcontroller



Gantt Chart



SCEL

Smart Campus Energy Laboratory

| Week | 1 | 2 | 3 | 4 | 5 | 6 | 7 | 8 | 9 | 10 | 11 | 12 | 13 | 14 | 15 | 16 |
|---------------------------------|--------|--------|-------|--------|--------|--------|-------|--------|--------|--------|-------|-------|--------|--------|--------|-------|
| | Jan-22 | Jan-29 | Feb-5 | Feb-12 | Feb-19 | Feb-26 | Mar-5 | Mar-12 | Mar-19 | Mar-26 | Apr-2 | Apr-9 | Apr-16 | Apr-23 | Apr-30 | May-7 |
| Spring Break | | | | | | | | | | | | | | | | |
| Presentations | | | | | | | | | | | | | | | | |
| Proposal Presentation | | Feb-3 | | | | | | | | | | | | | | |
| Preliminary Design Review | | | | | Feb-24 | | | | | | | | | | | |
| Critical Design Review | | | | | | | | | Mar 24 | | | | | | | |
| Final Presentation | | | | | | | | | | | | | | Apr-28 | | |
| VIP poster session | | | | | | | | | | | | | | | | |
| EE496 Poster Session | | | | | | | | | | | | | | | | |
| PCB Fabrication/Assembly | | | | | | | | | | | | | | | | |
| Fabrication Time | | | | | | | | | | | | | | | | |
| Populating | | | | | | | | | | | | | | | | |
| Testing | | | | | | | | | | | | | | | | |
| Firmware | | | | | | | | | | | | | | | | |
| Housing | | | | | | | | | | | | | | | | |
| Design | | | | | | | | | | | | | | | | |
| Fabrication | | | | | | | | | | | | | | | | |
| Deployment | | | | | | | | | | | | | | | | |
| Final Report | | | | | | | | | | | | | | | | |



SCEL

Smart Campus Energy Laboratory

What Needs to Be Finished

- Populate last few components
- Testing of PCB
- Housing
- Modify firmware for one Bumblebee to accommodate more than one Weatherbox
- Test Bumblebee with Cranberry



SCEL

Smart Campus Energy Laboratory

QUESTIONS?

