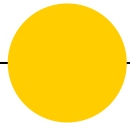




SCEL

Team Bumblebee

PRELIMINARY DESIGN REVIEW PRESENTATION



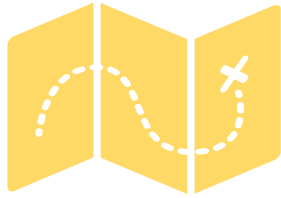
Spring 2019

Advisor : Dr. Anthony K





SCEL



Presentation Overview

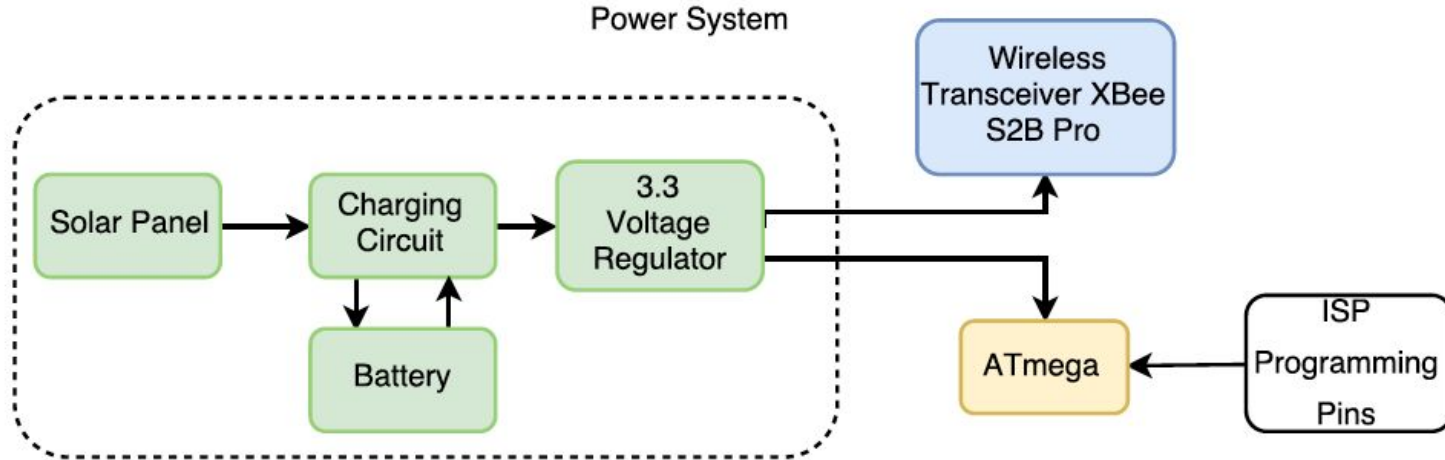
- Block Diagrams
 - Power
 - Signal/Communication
- Team Progress
- Problems
- Current PCB Design
- New PCB Layout
- Gantt Chart





SCEL

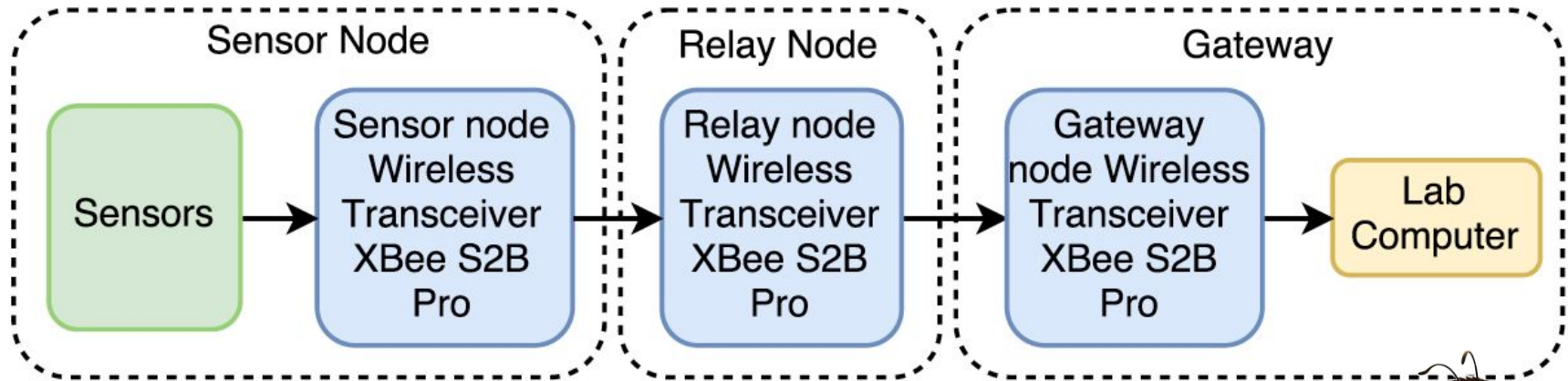
Block Diagram - Power





SCEL

Block Diagram - Signal/Communication





SCEL



Team Progress

- Finished populating two of our PCBs
- Bootloaded microprocessor
- Started fabricating new PCB layout
- Contacted Bumblebee mentors





SCEL

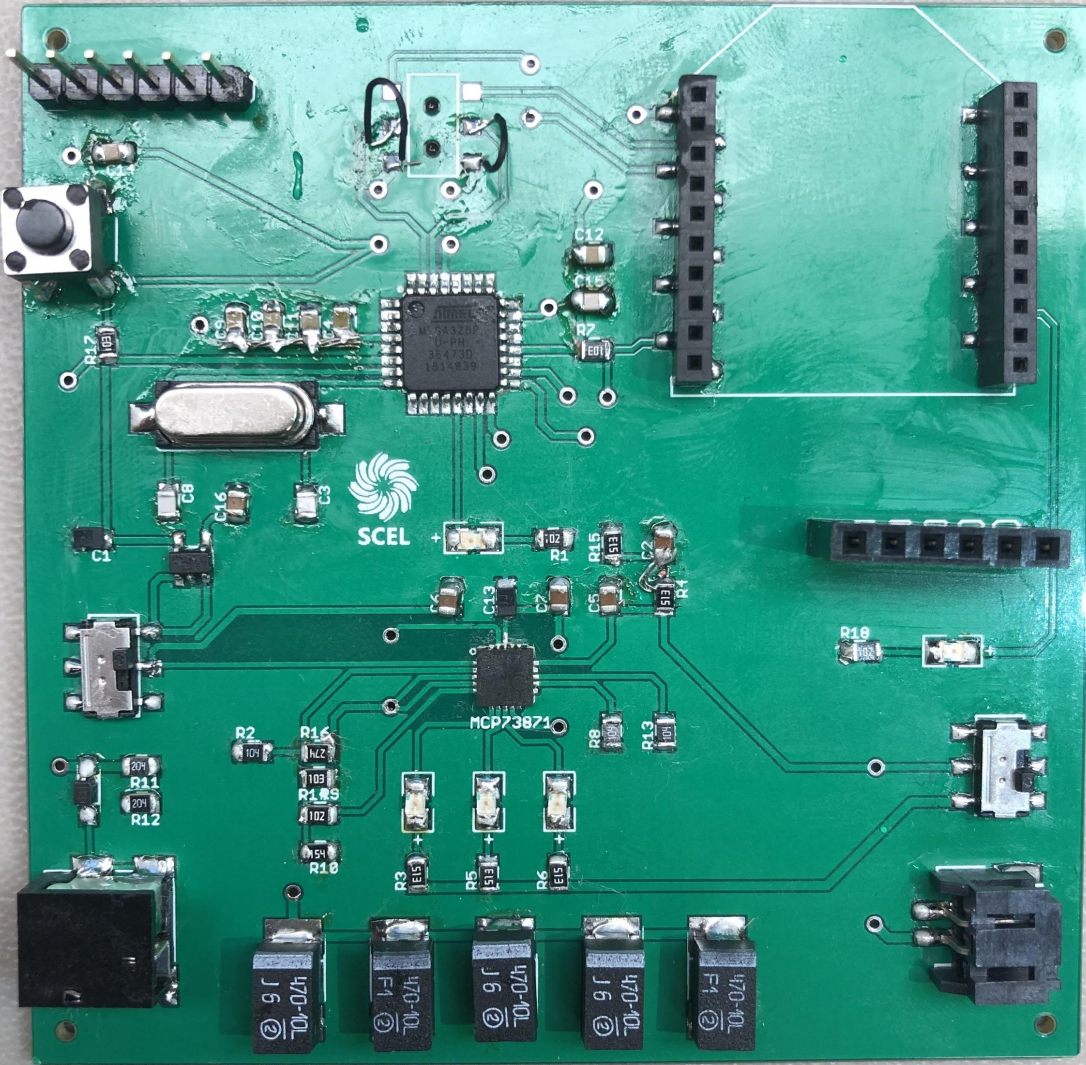


Problems

- Unable to receive or send packets (LED not blinking)
 - Firmware problem
 - Solar charger
 - Switch leaking (voltage)?



Current PCB Design



SCEL





SCEL

New PCB Layout

- Solar Charging Circuit → Breakout Board
- Remove switch
- Add debug LEDs
 - Transmitting
 - Receiving
- Wiring Orientation
- Add more vias



Gantt Chart

