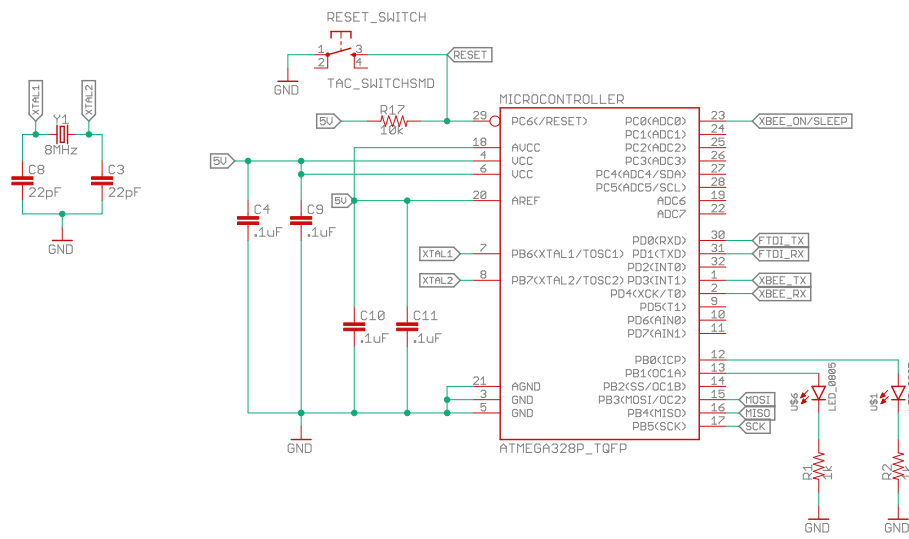
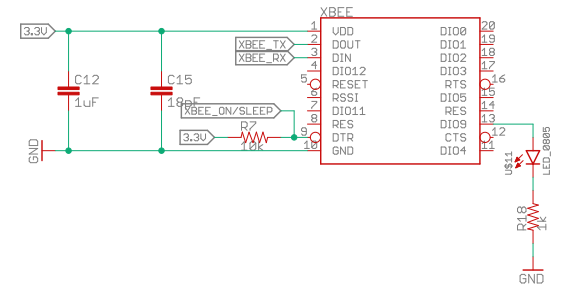


# Microcontroller



# Xbee



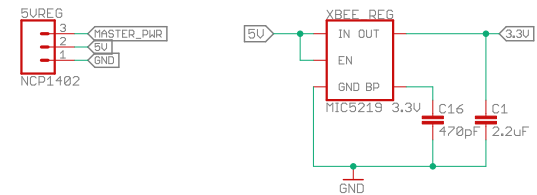
# Solar Charger Header



# Programming Circuit



# Voltage Reg



Title:	Bumblebee_S20_v1
Version:	
3/4/2020 5:52 PM	
Drawn By:	1/1