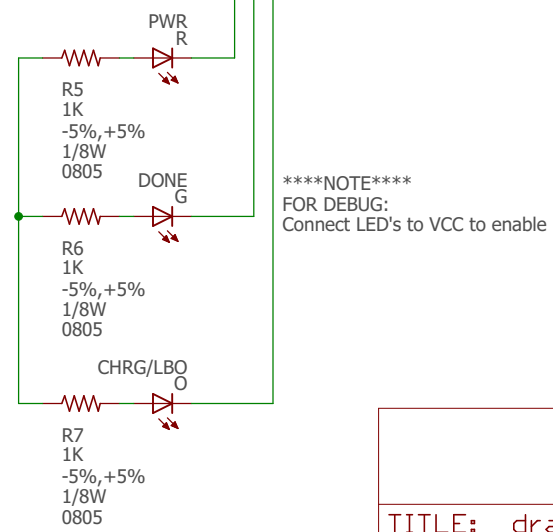
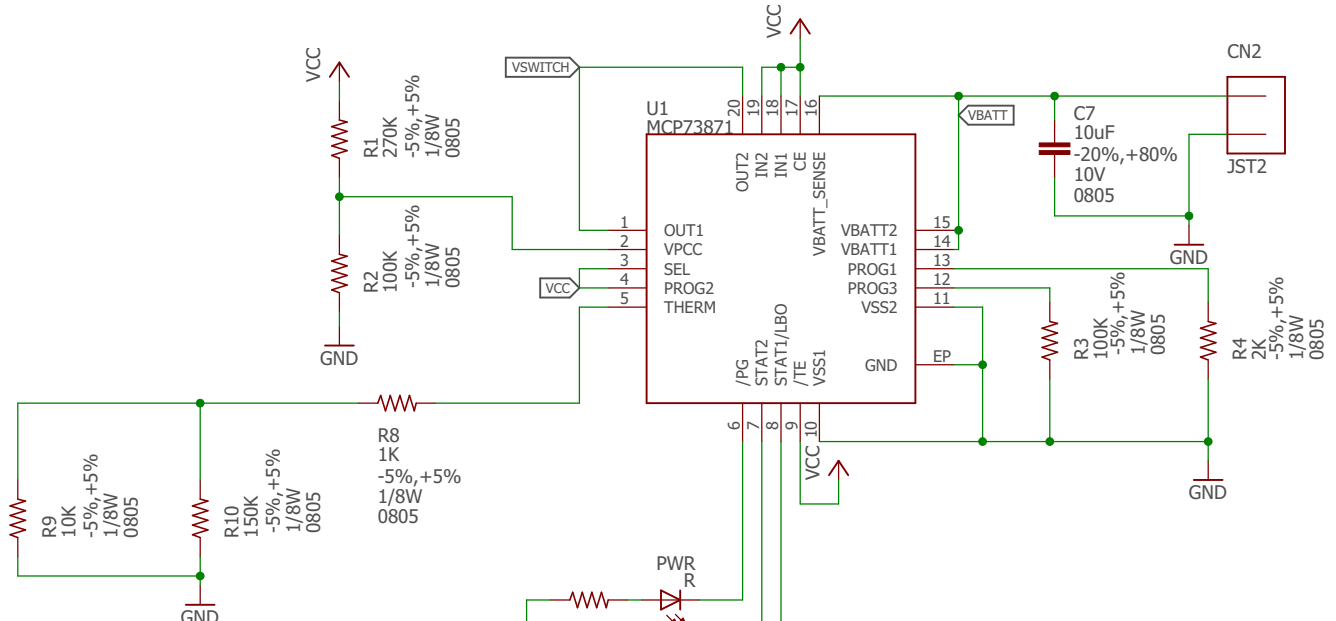
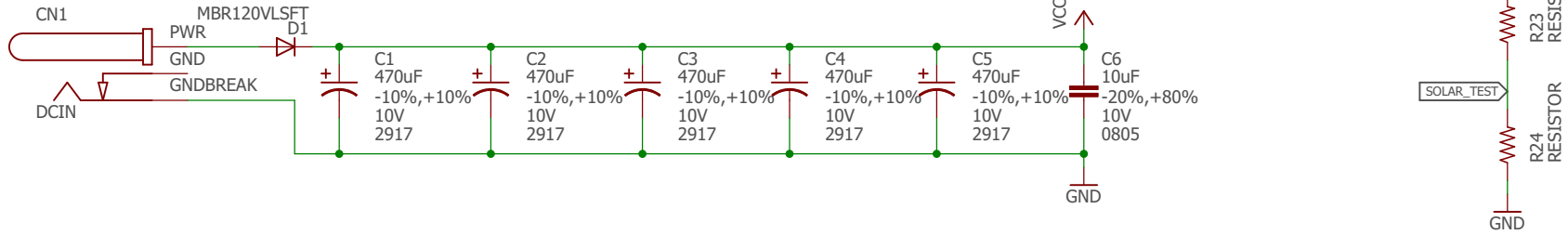
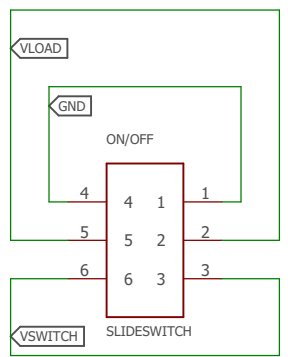


SOLAR CHARGER

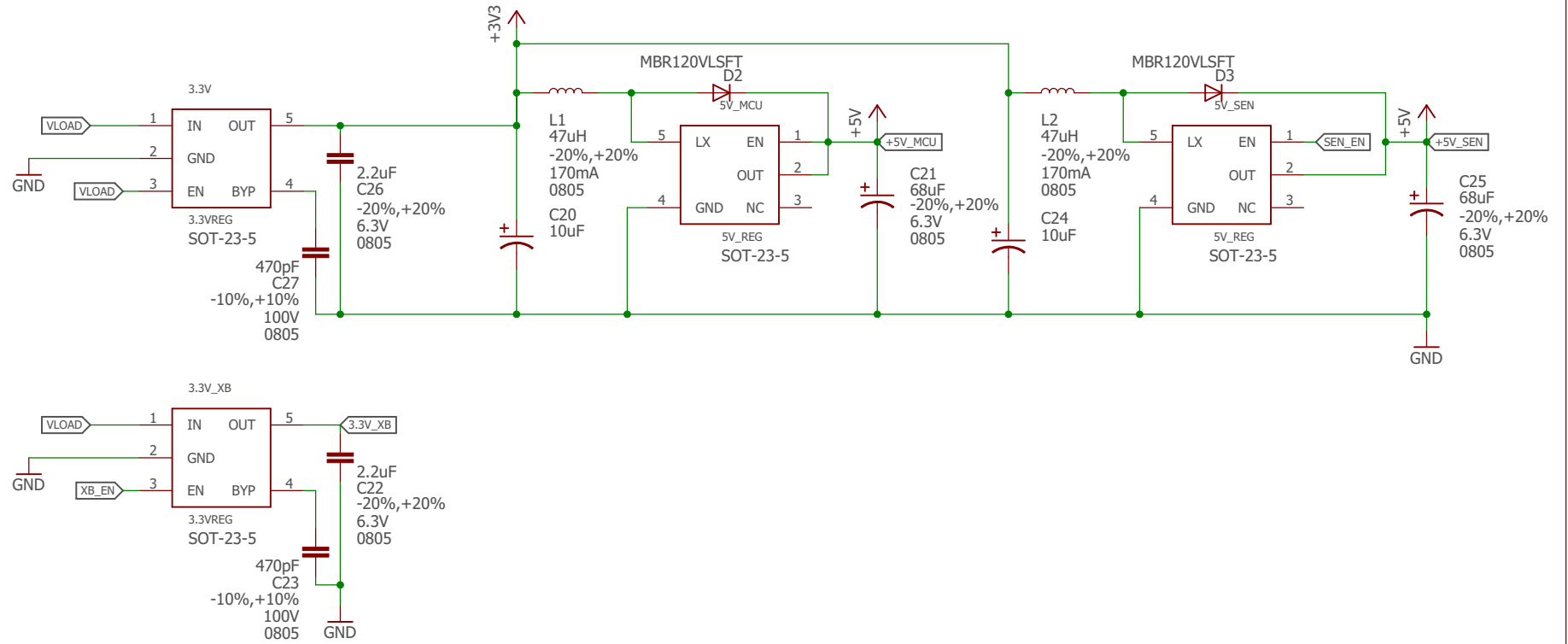


****NOTE****
FOR DEBUG:
Connect LED's to VCC to enable



TITLE: dragonfruitv1_151203	
Document Number:	REV:
Date: 3/9/2016 1:07 AM	Sheet: 1/1

VOLTAGE REGULATION



TITLE: dragonfruitv1_151203

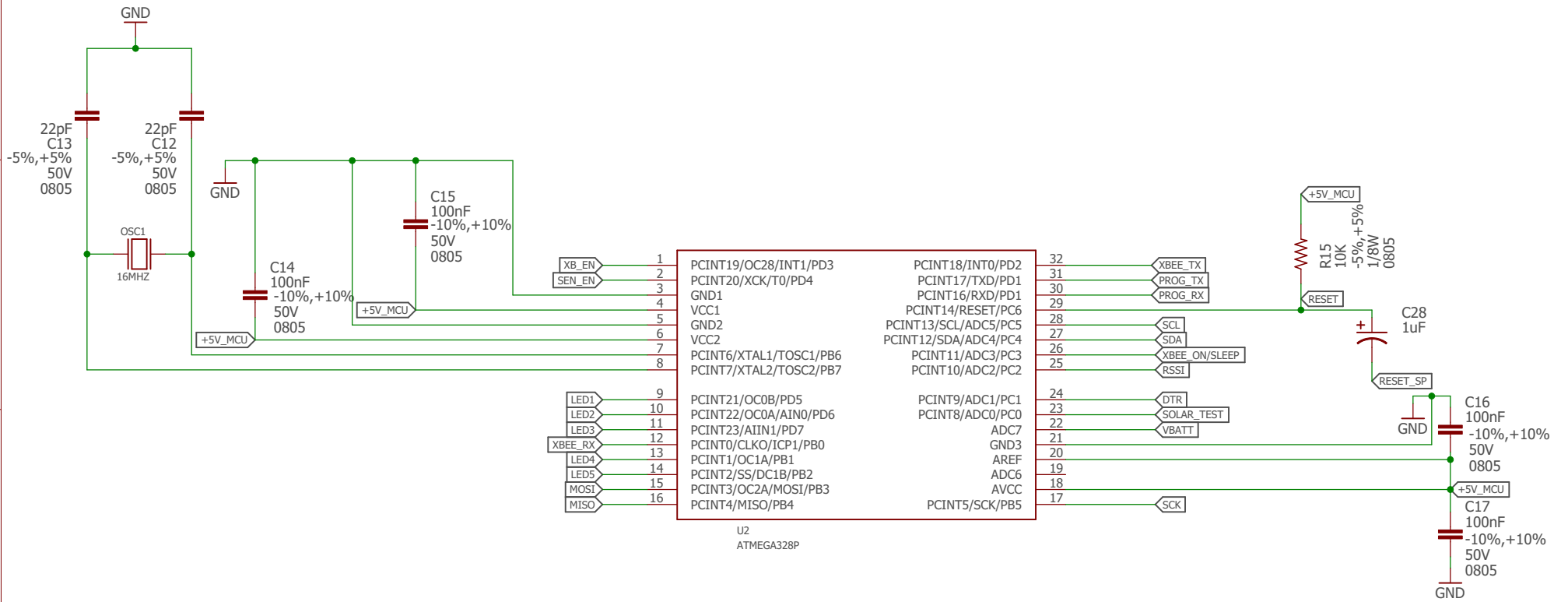
Document Number:

REV:

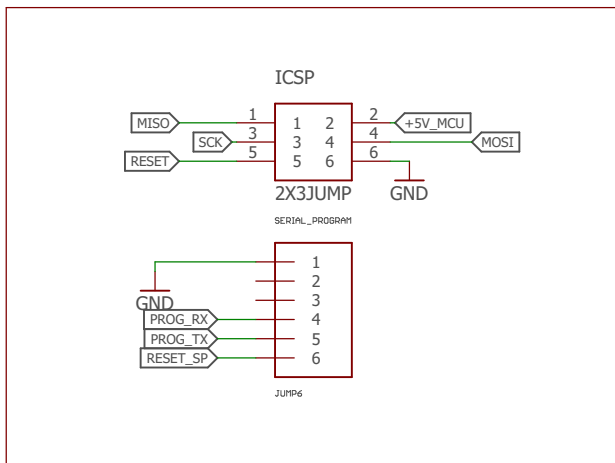
Date: 3/9/2016 1:07 AM

Sheet: 1/1

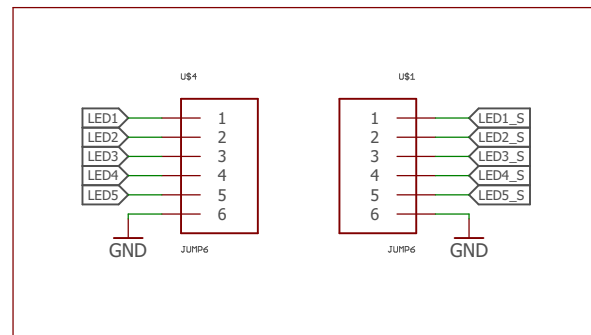
MICROCONTROLLER



PROGRAMMING



DEBUGGING



TITLE: dragonfruitv1_151203

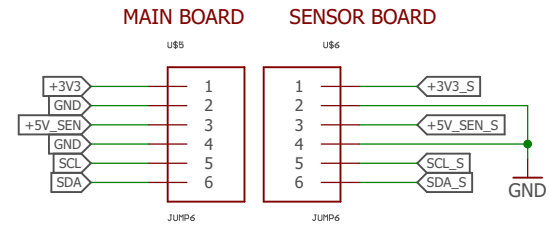
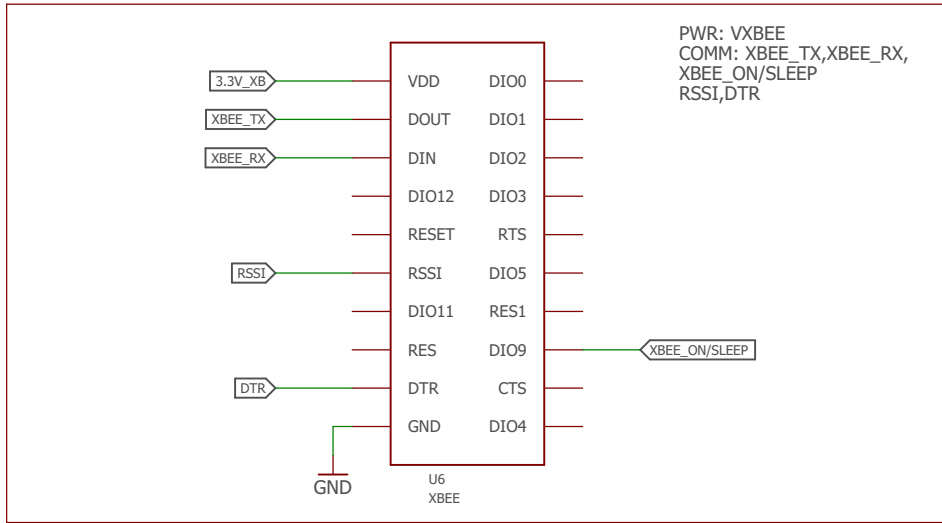
Document Number:

REV:

Date: 3/9/2016 1:07 AM

Sheet: 1/1

XBEE COMMUNICATION



GLOBAL POSITION SYSTEM



REAL TIME CLOCK



TITLE: dragonfruitv1_151203

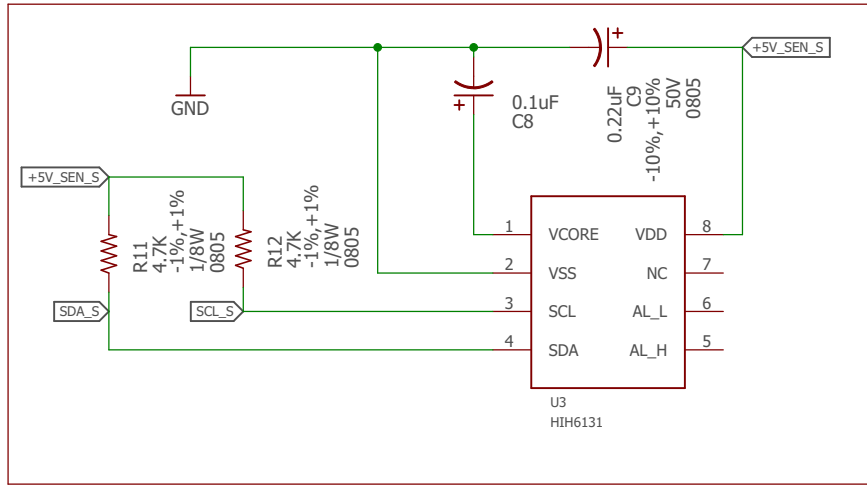
Document Number:

REV:

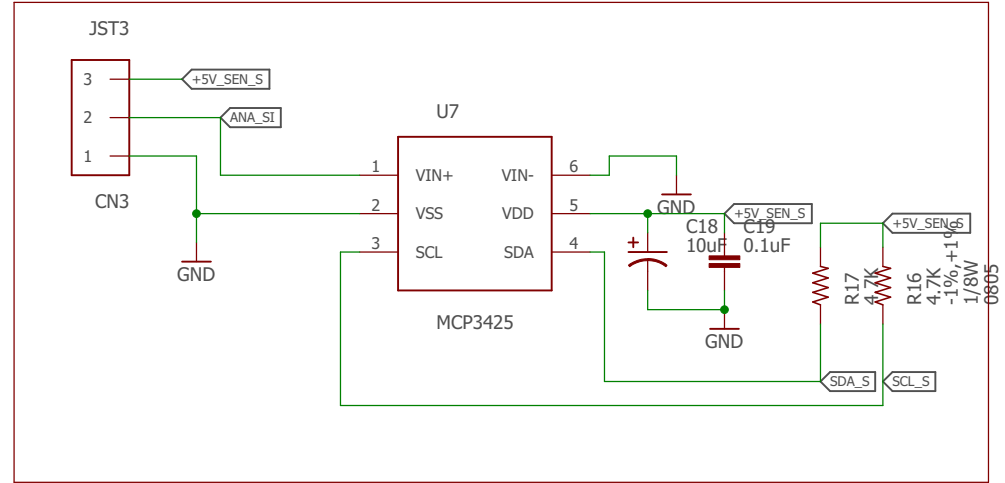
Date: 3/9/2016 1:07 AM

Sheet: 1/1

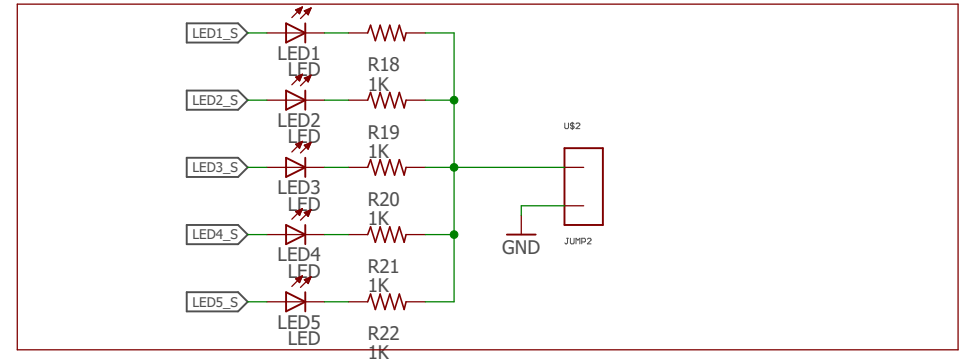
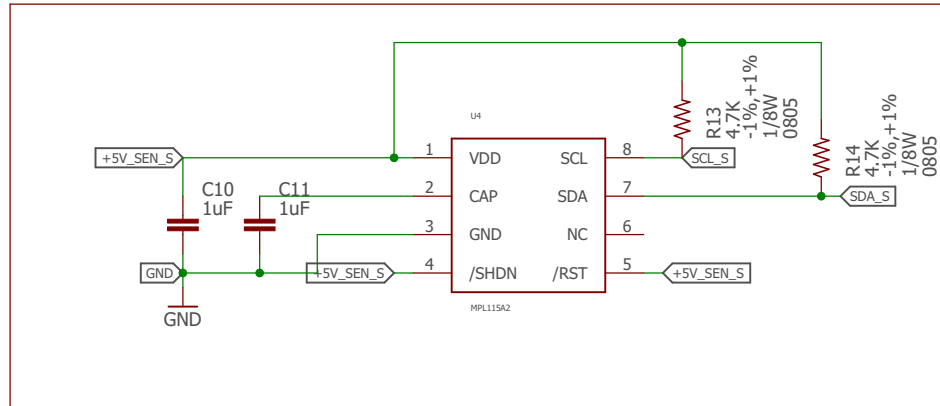
HUMIDITY SENSOR



SOLAR IRRADIANCE SENSOR



PRESSURE/TEMPERATURE SENSOR



TITLE: dragonfruitv1_151203

Document Number:

REV:

Date: 3/9/2016 1:07 AM

Sheet: 1/1