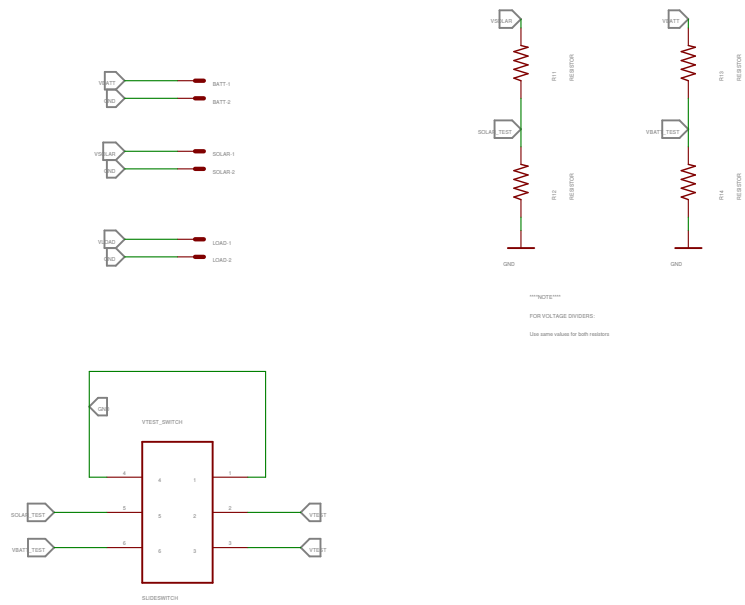
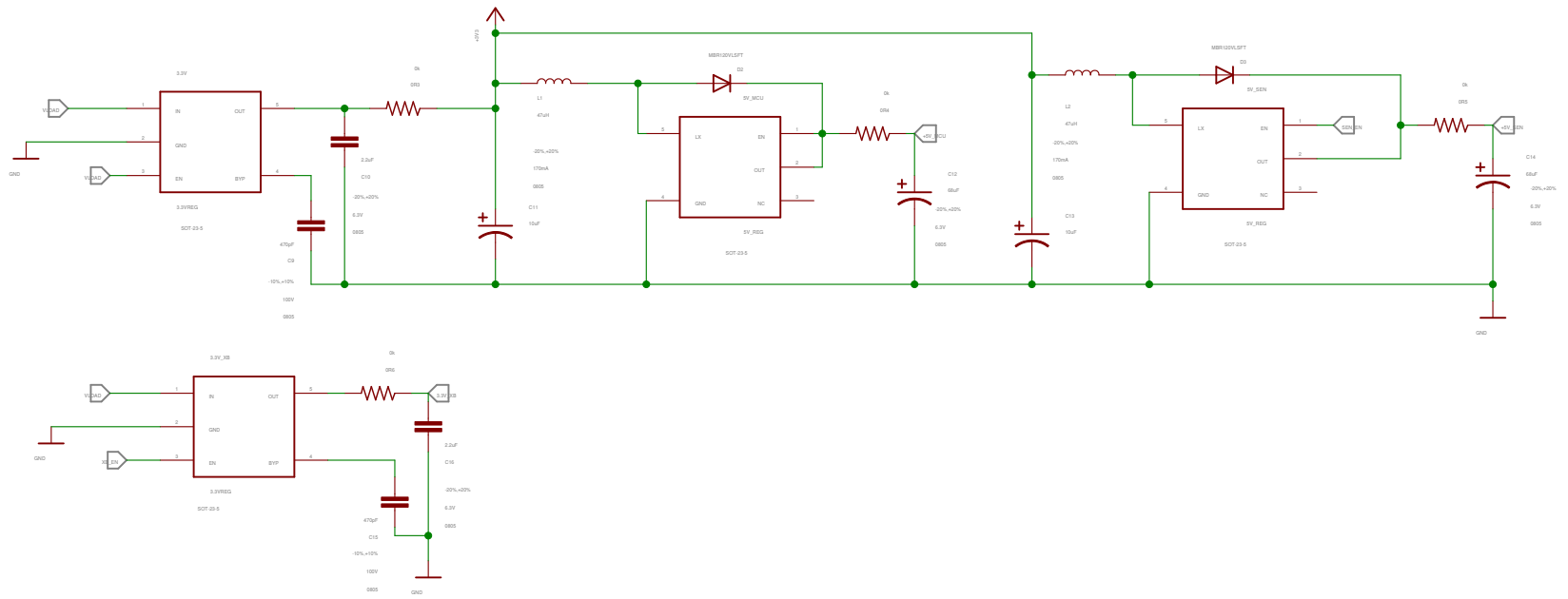


ACAPRILT CHARGING CHIP



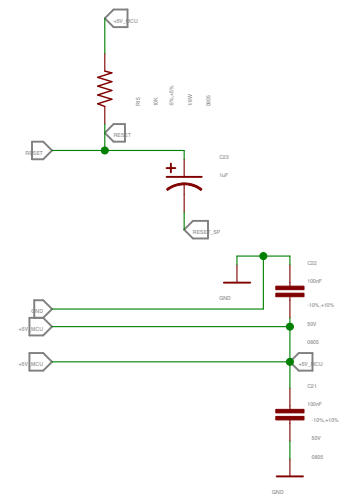
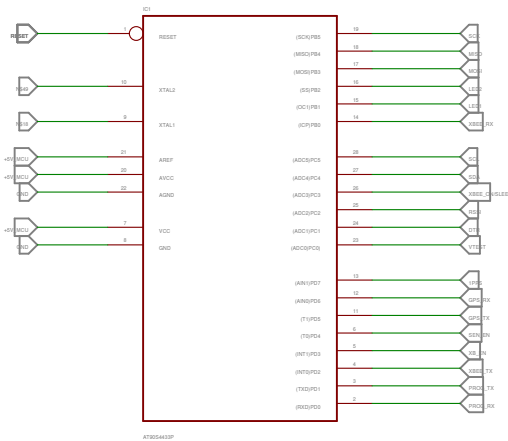
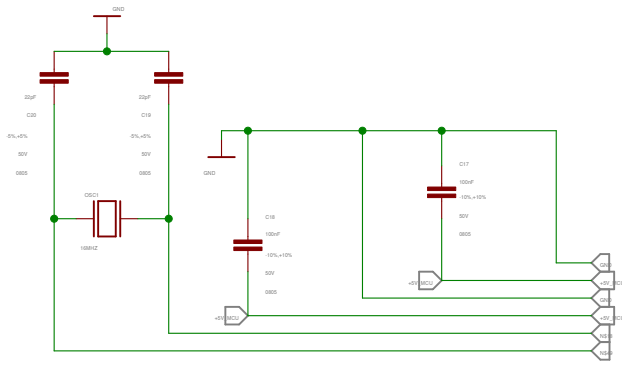
| | |
|--------------------------|------------|
| | |
| TITLE: practice practice | |
| Document Number: | REV: |
| Date: 2/9/18 1:00 PM | Sheet: 1/1 |

VOLTAGE REGULATION

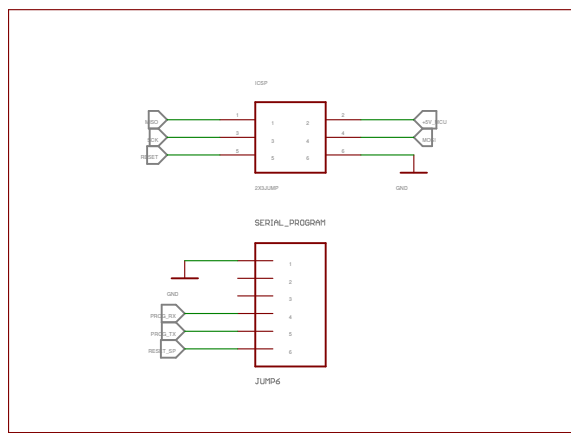


| | |
|--------------------------|------------|
| TITLE: practice practice | |
| Document Number: | REV: |
| Date: 2/9/18 1:00 PM | Sheet: 1/1 |

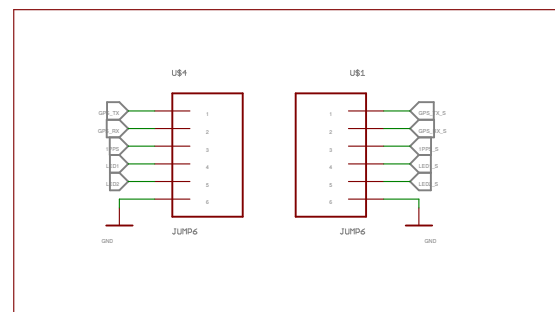
MICROCONTROLLER



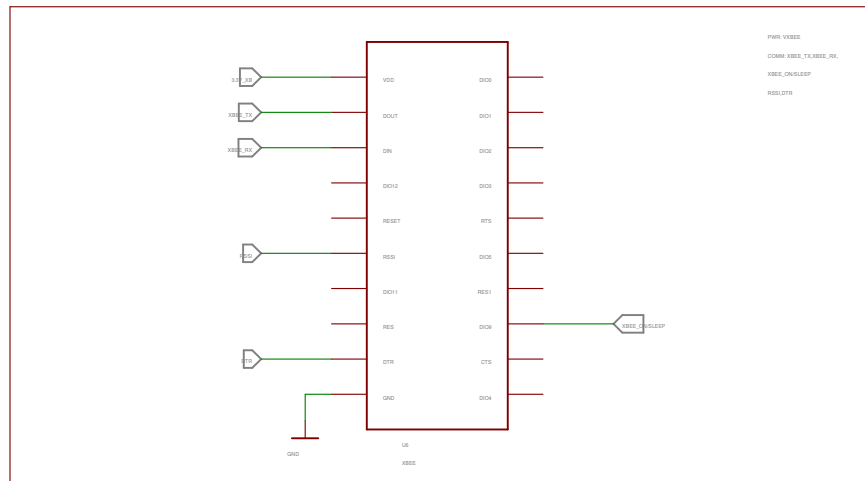
PROGRAMMING



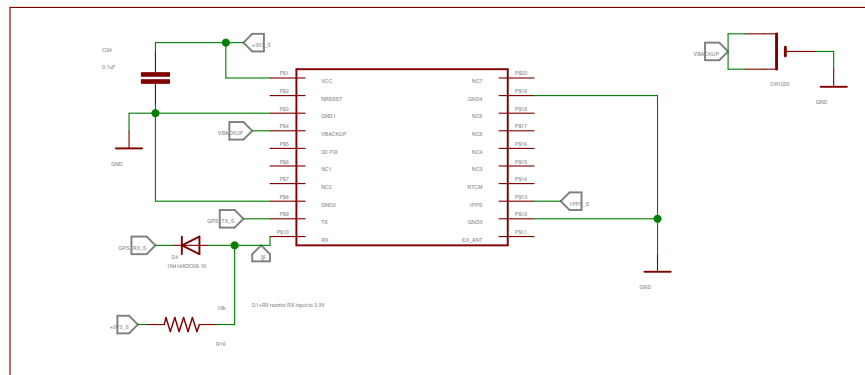
DEBUGGING



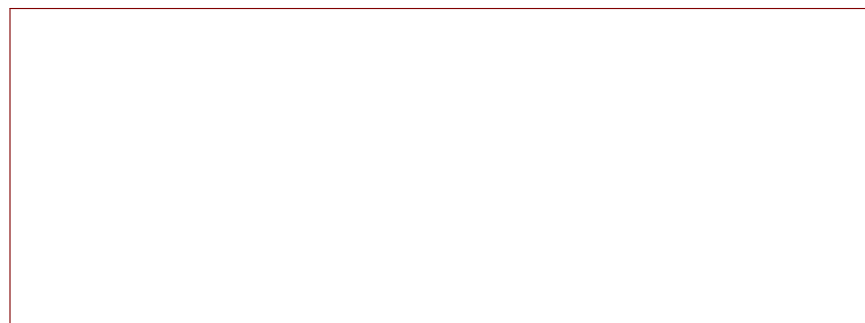
XBEE COMMUNICATION



GLOBAL POSITION SYSTEM

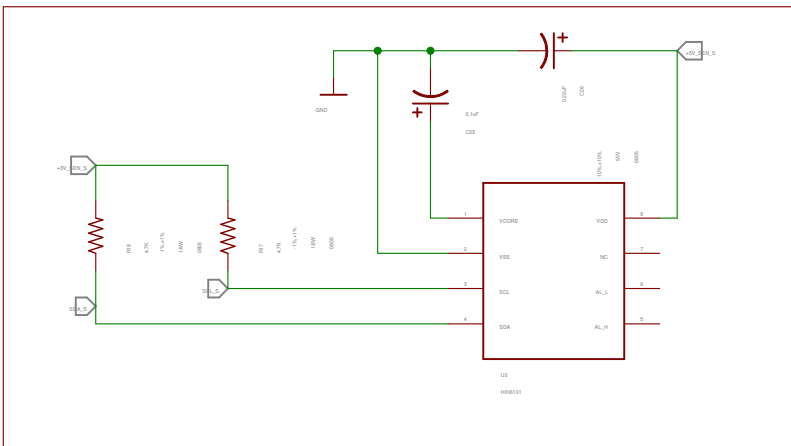


REAL TIME CLOCK

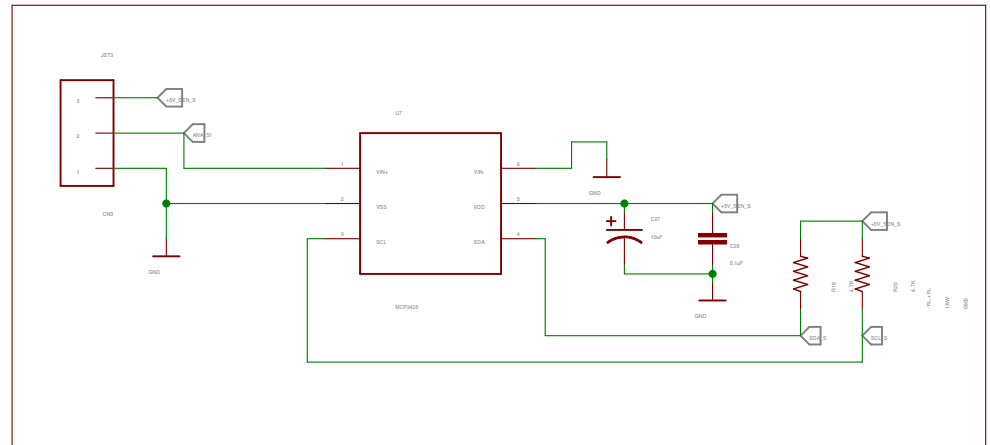


| | |
|--------------------------|------------|
| TITLE: practice practice | |
| Document Number: | REV: |
| Date: 2/9/18 1:00 PM | Sheet: 1/1 |

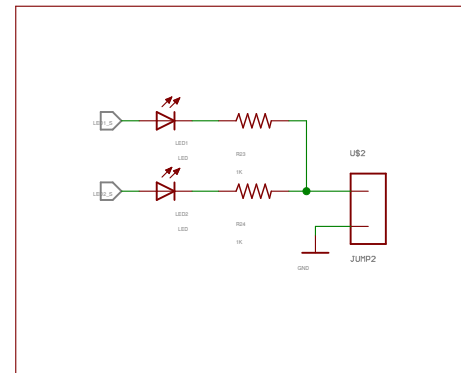
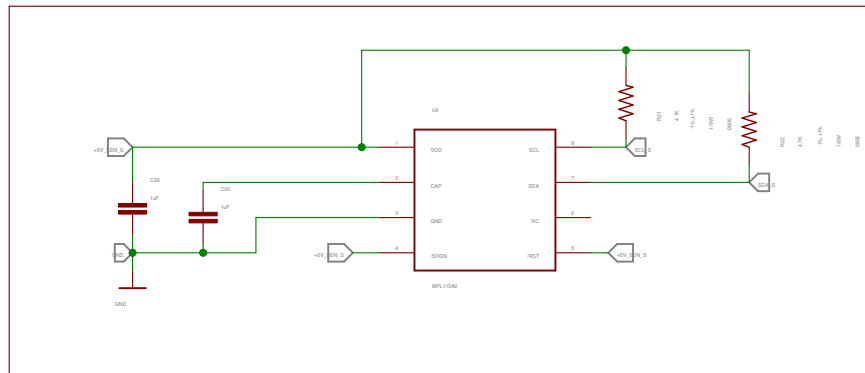
HUMIDITY SENSOR



SOLAR RADIANCE SENSOR



PRESSURE/TEMPERATURE SENSOR



TITLE: practice practice

Document Number:

REV:

Date: 2/9/18 1:00 PM

Sheet: 1/1