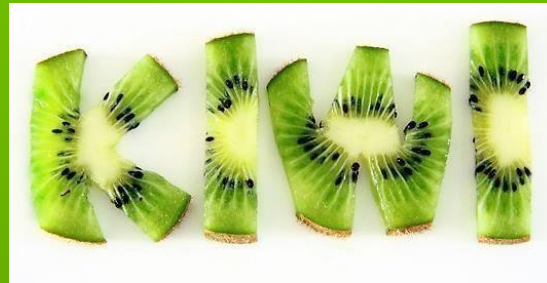


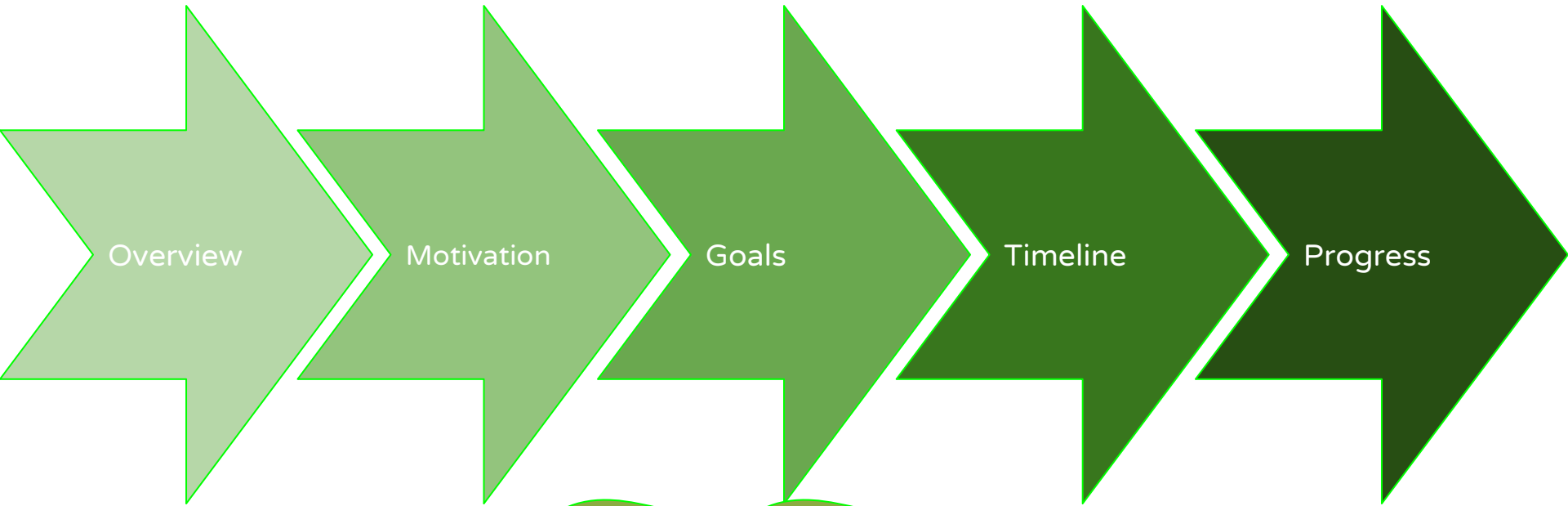
# Proposal (Weatherbox)

Advisor: Dr. Kuh  
Team





# Overview



Extra: What's Next?



Hello!

**I am Alex Chen**

Major: Electrical Engineering

Year: Junior

Hobby: Soccer



Hello!

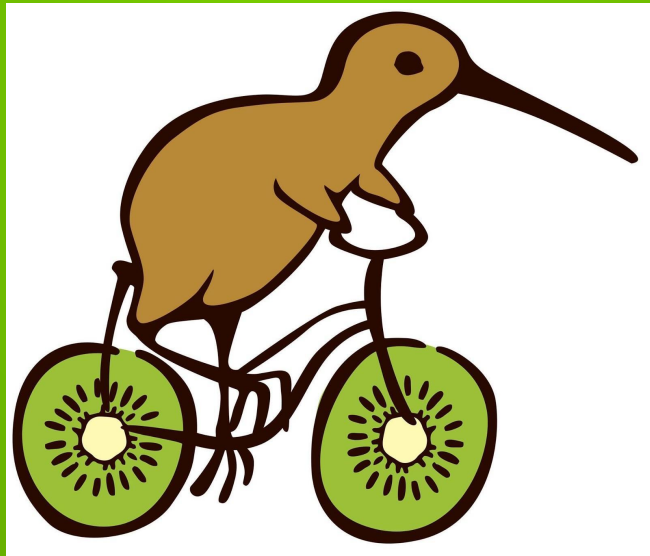
**I am Jason Chen**

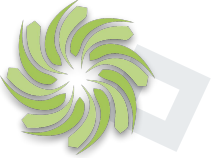
Major: Electrical Engineering

Year: Junior

Hobby: Digital Art

# Kiwi's Motivation





“

🌍 Sustainable Energy

for a positive  
environmental future!

🌍 To get more

experience with  
hardware and software!



# Kiwi's Goals



# Kiwi's Goals

## Goals:

- × Eagle
- × Soldering
- × Arduino
- × Teamwork and Organization
- × Presentation and Communication Skills

## Overall Goal:

Our goal is to create an environmental sensor that can detect weather patterns in an area.



# Kiwi's Gantt Chart



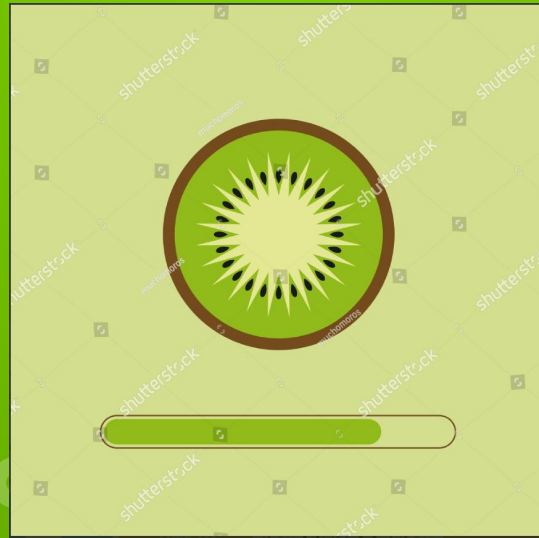


		Project (Gantt Chart)															
Week		1	2	3	4	5	6	7	8	9	10	SpringBreak	11	12	13	14	15
Date		1/19/2018	1/26/2018	2/2/2018	2/9/2018	2/16/2018	2/23/2018	3/2/2018	3/9/2018	3/16/2018	3/23/2018	Week 11	4/6/2018	4/13/2018	4/20/2018	4/27/2018	5/4/2018
<b>Presentations</b>																	
	Proposal																
	Design																
	Final																
	Demonstration																
<b>Training</b>																	
	Git/GitHub																
	Arduino/Bare Arduino																
	Eagle																
<b>Modules</b>																	
	Microprocessor																
	Sensors																
	Charging Circuit																
	Xbee																
<b>Build</b>																	
	System Integration																
	Overall System Firmware																
	Design/Print PCB																
	Housing																
<b>Test</b>																	
	Debug																
<b>Reports</b>																	
	Final Report																

Finish Weather-boxes by the end of this week



# Kiwi's Progress





# Kiwi's Progress

## Sensors

Implementing Arduino program with the help of the breadboard in 2nd/3rd week

## Arduino

Gained knowledge and basic understanding through tutorials from 2nd week progress

## Parts

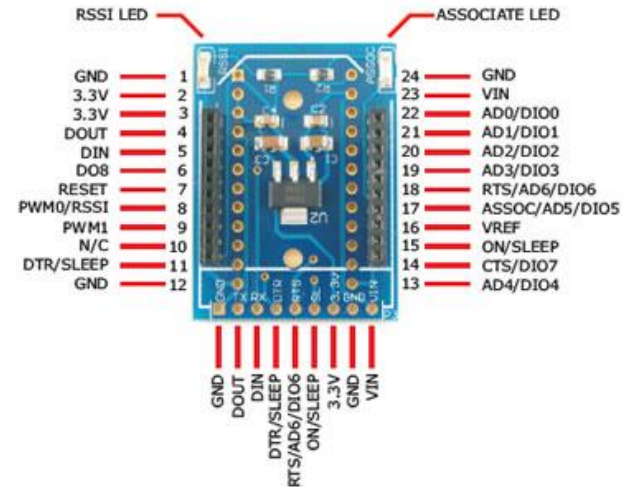
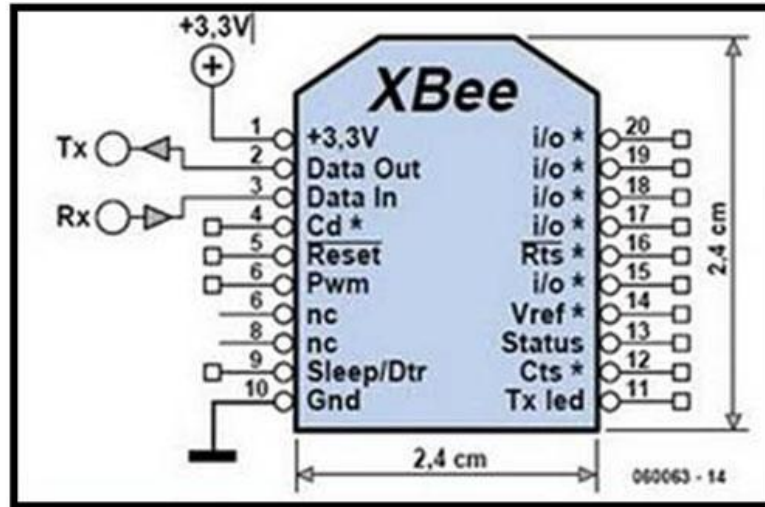
Finish ordering the parts for weatherbox project in 3rd week



# What's Next, Kiwi?

## Xbee Modules

We'll be learning about them this upcoming week!





Thanks!

Any questions?