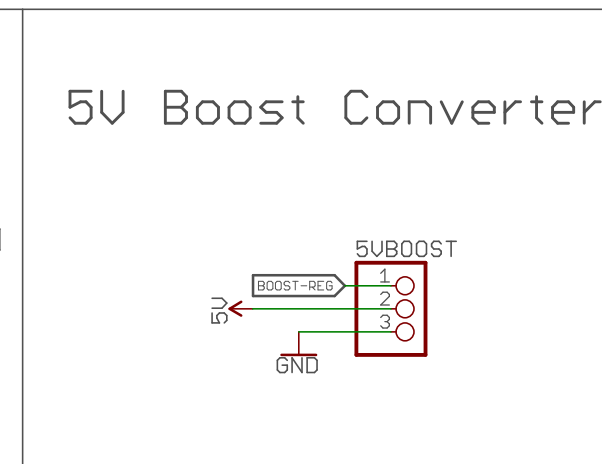
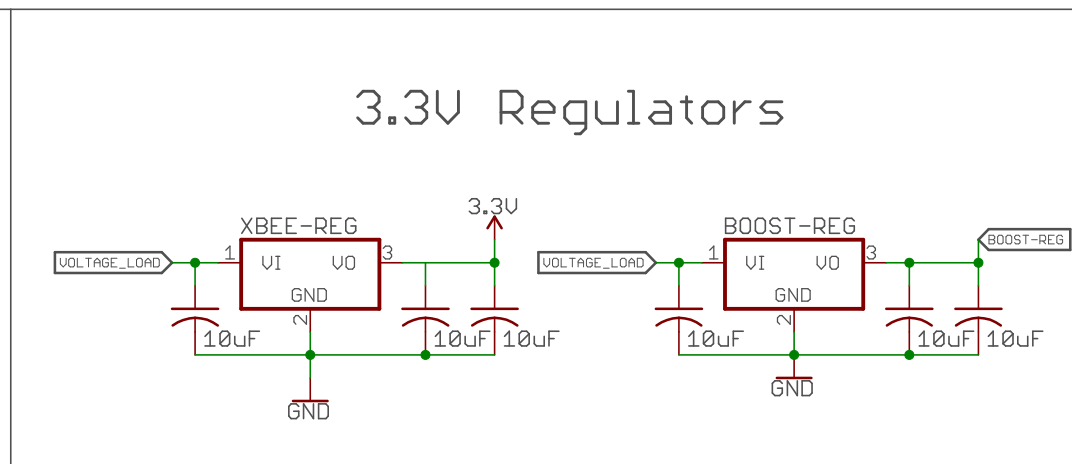
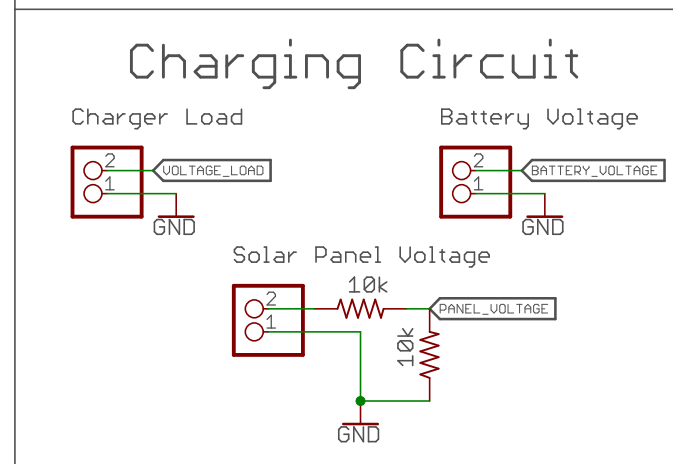
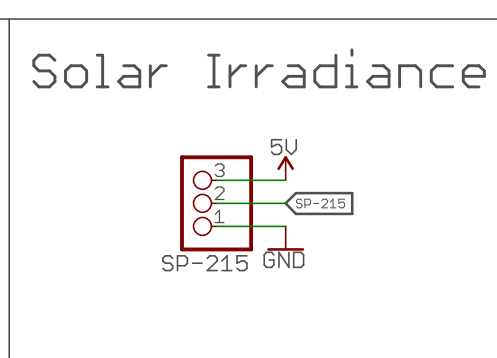
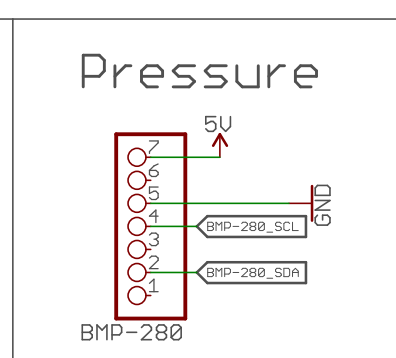
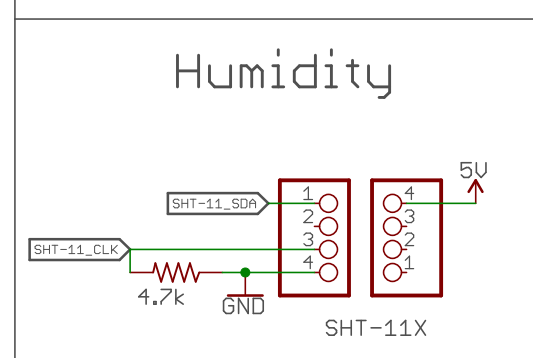


## Power



## Sensors

Power from 5v Boost Converter



# Mango Schematics

TITLE: Team Mango PCB Schematic

Document Number:

Version 2

REV:

Date: 10/28/2017 2:51 PM

Sheet: 1/1