

Critical Design Review

Team Rocket: Emily Lum, Andrew Obatake, Jennifer Chun
Mentor: Kim Castro



Presentation Overview

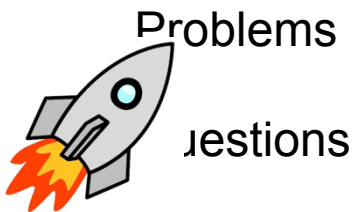
Hardware Block Diagram

Software Block Diagram

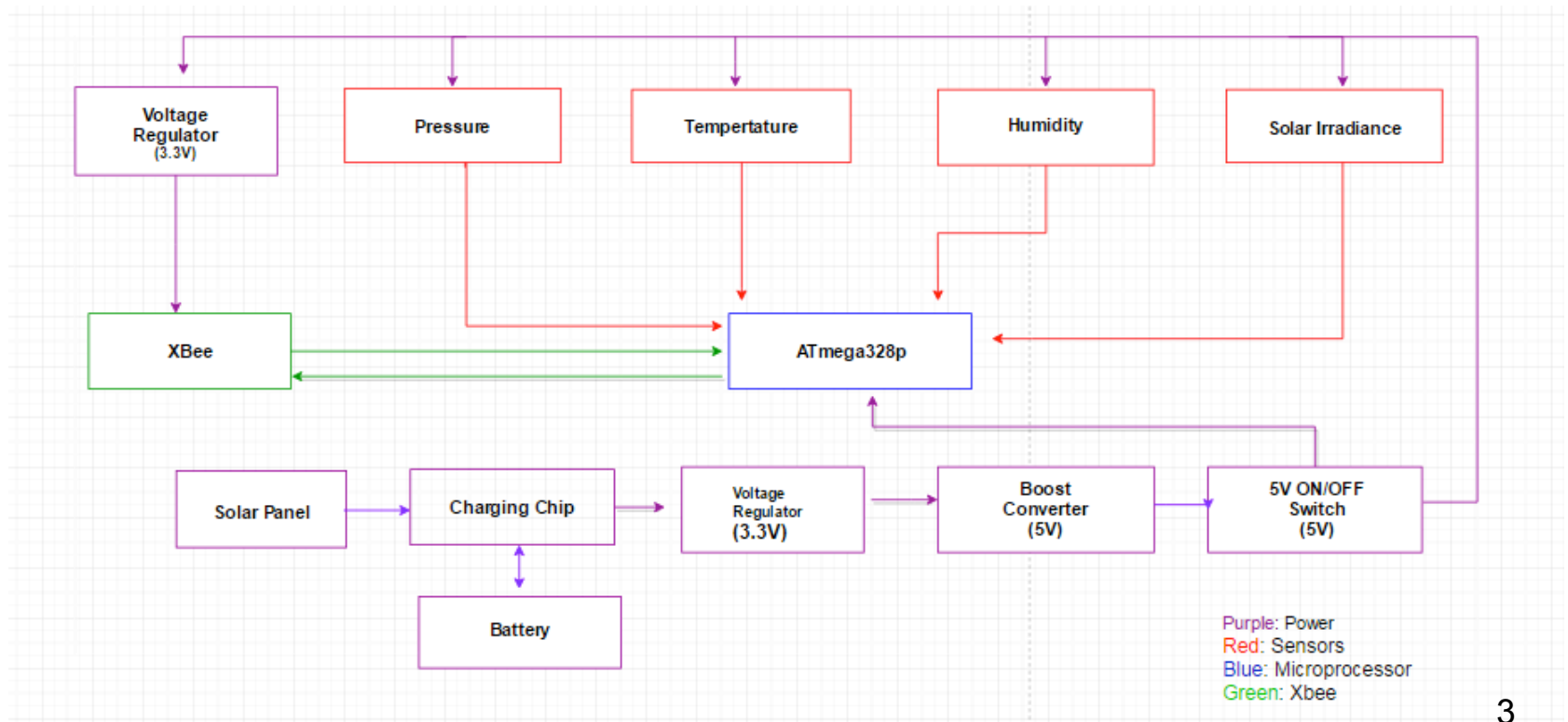
Firmware Algorithm

Team Progress

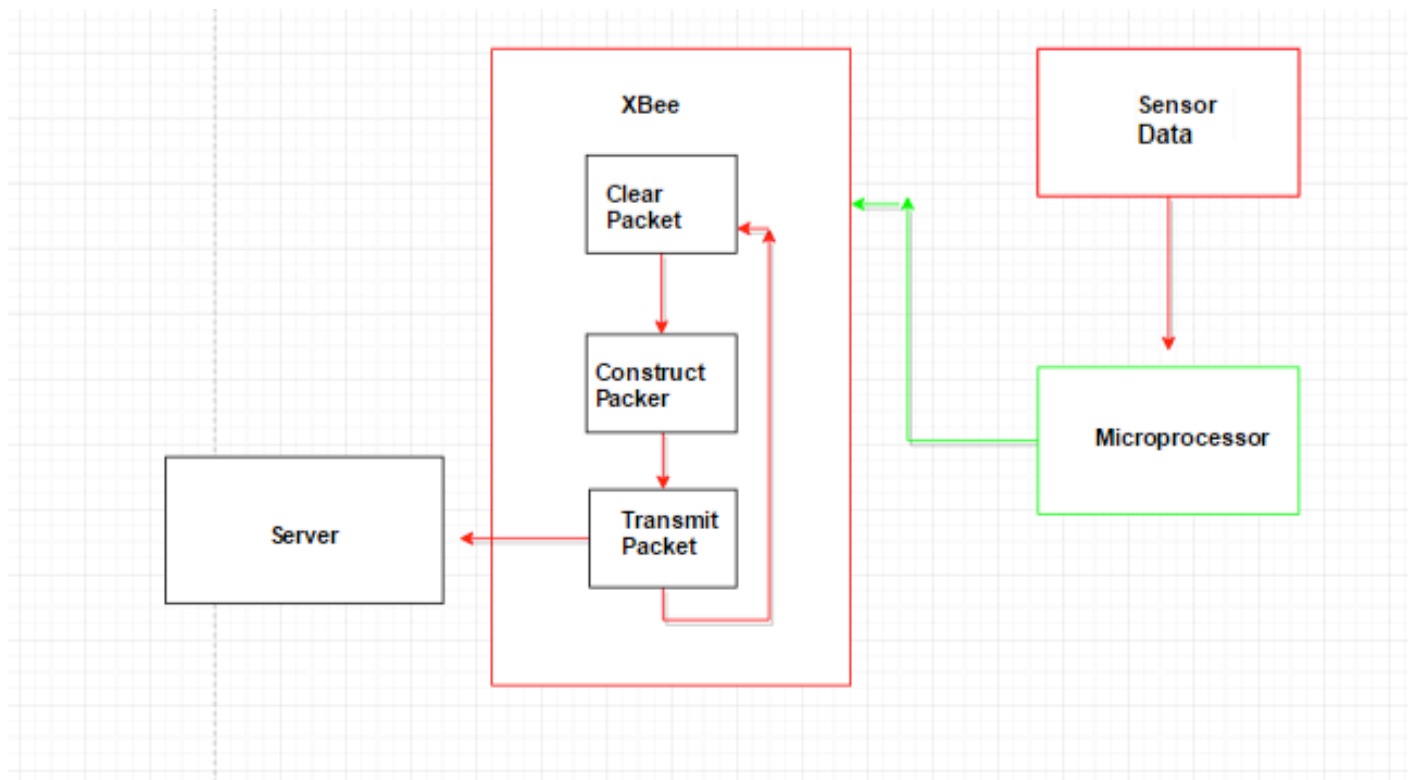
Remaining Work



Hardware Block Diagram



Software Block Diagram



Firmware Algorithm

Initialize Packet, Sensors, and Xbee.

Loop Routine

- Construct Packet

 - Pull sensor data

 - Pack sensor data

- Increment the amount of polls

 - If amount of polls equals to 60

 - Transmit the packet

 - Clear the packet

 - Clear amount of polls



Team Progress

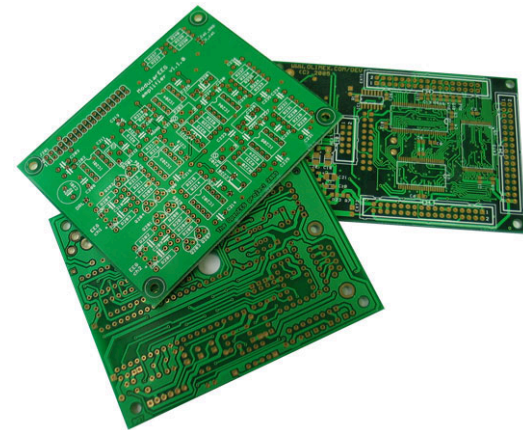
Finished and tested sensor code.

Finished and tested transmit code.

1st draft of PCB board design.

1st draft of housing design.

Sketchup.

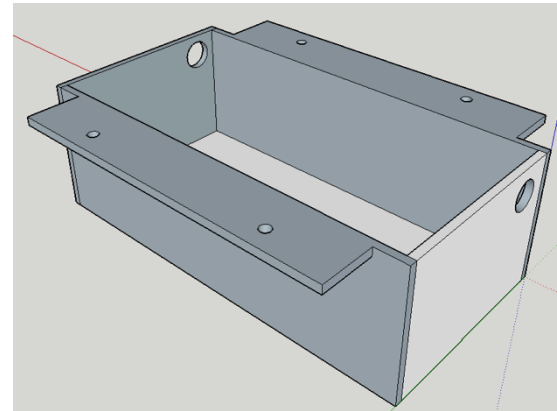


Remaining Work

Write and test driver file.

Finalize PCB design and print.

Finalize housing design and print.



Problems

Solar irradiance sensor getting wrong values.

Solution: Data sheet was wrong. Switched the pins on the sensor.

Could not transmit packets to Coordinator Xbee.

Solution: Switch around the Rx and Tx lines going from the Xbee to the microcontroller.

PCB design routing

Solution: rerouting and moving parts



Any questions?

