

Critical Design Review



**By Team Snapdragon
Kyle Chan, Jonathan Lau, Akira Vernon**

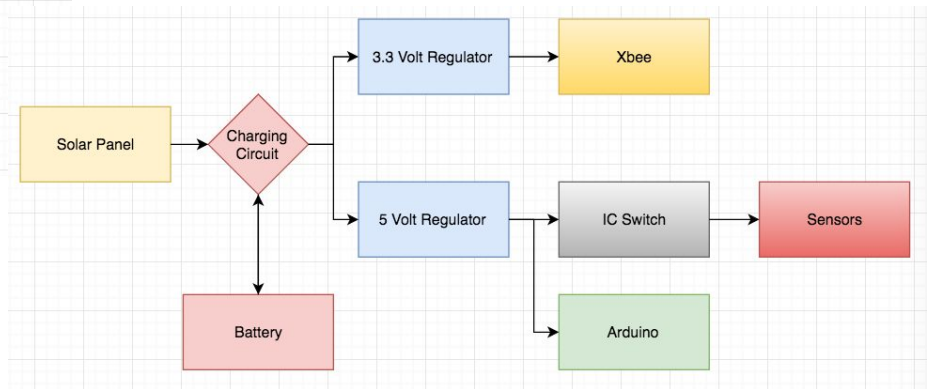
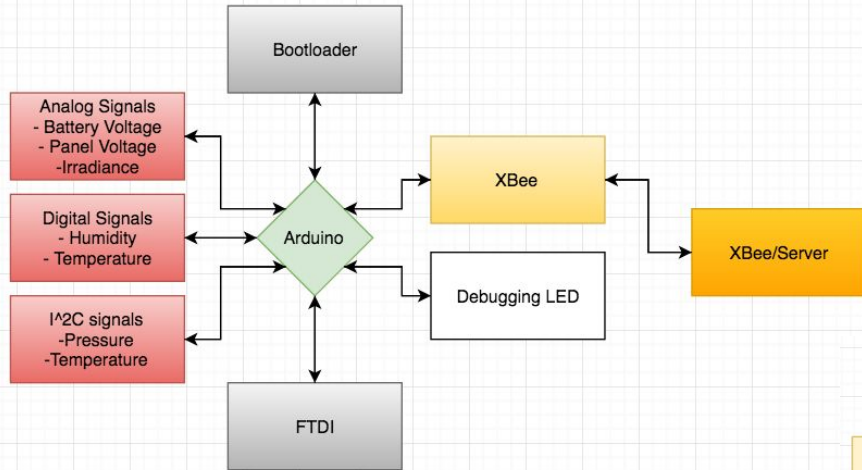


Outline

- Overall Block Diagram
 - Hardware
 - Software
- Firmware Algorithm
- Progress
 - PCB Design
- To be completed

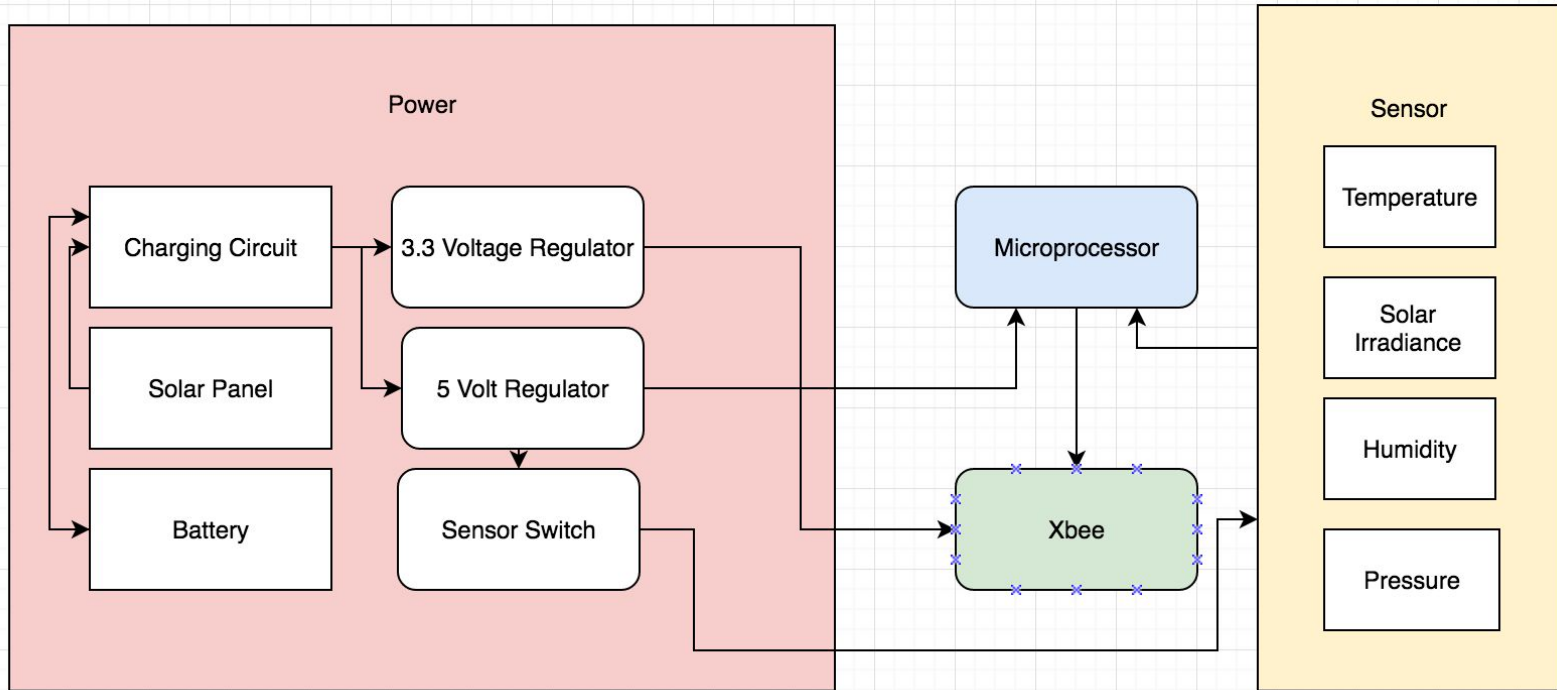


Overall Block Diagram



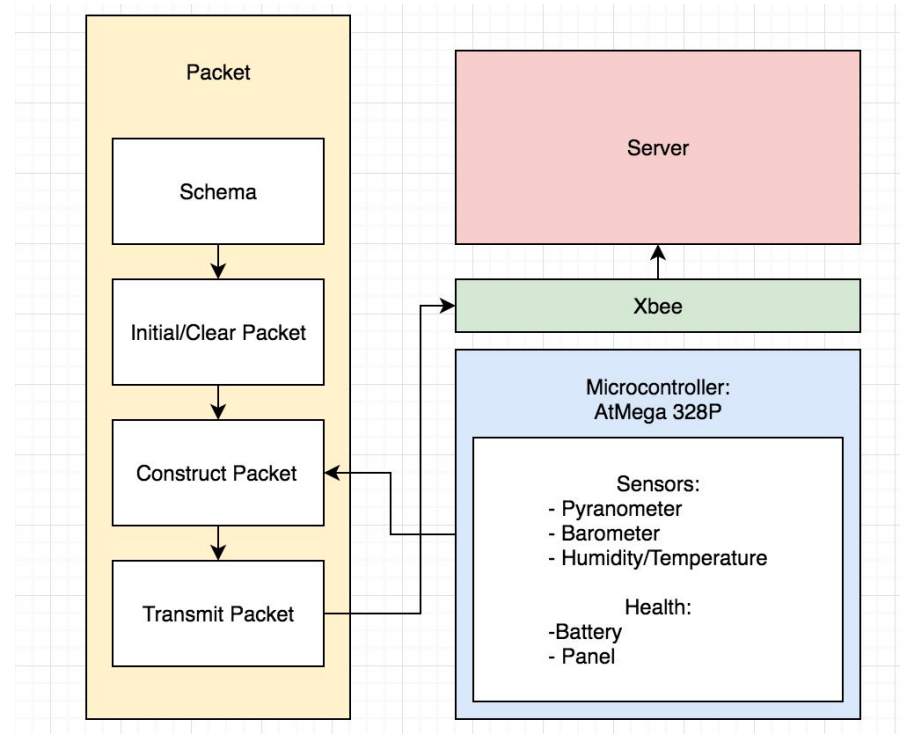


Hardware Block Diagram





Software Block Diagram





Firmware Algorithm

- Initialize Components

Loop:

- Gather Data
- Initialize Packet
- Put Data into Payload
- Transmit Packet
- Clear Packet



Progress

- Complete the PCB Design
- Housing design
- Coding and XBee



To be completed

- Housing Design
- Implementing Software Serial
- Mill PCB/Soldering



Gantt Chart

Week	Spring Break	10	11	12	13	14	15
Date	3/27/2017	4/3/2017	4/10/2017	4/17/2017	4/24/2017	5/1/2017	5/8/2017
Proposal							
Design							
Final				Tentative*			
Demonstration							
Training							
Git/GitHub							
Arduino/Bare Arduino							
Eagle							
Modules							
Microprocessor							
Sensors							
Charging Circuit							
Xbee							
Build							
System Integration						Integrate	Debug
Overall System Firmware			Firmware/Debug			Integrate	Debug
Design/Print PCB			PCB	PCB	PCB/Mill		
Housing		Design	Design	Design	Design	Design	Design/Print
Test							
Debug							
Reports							
Final Report							

Thank you for listening!
Any Questions?

