



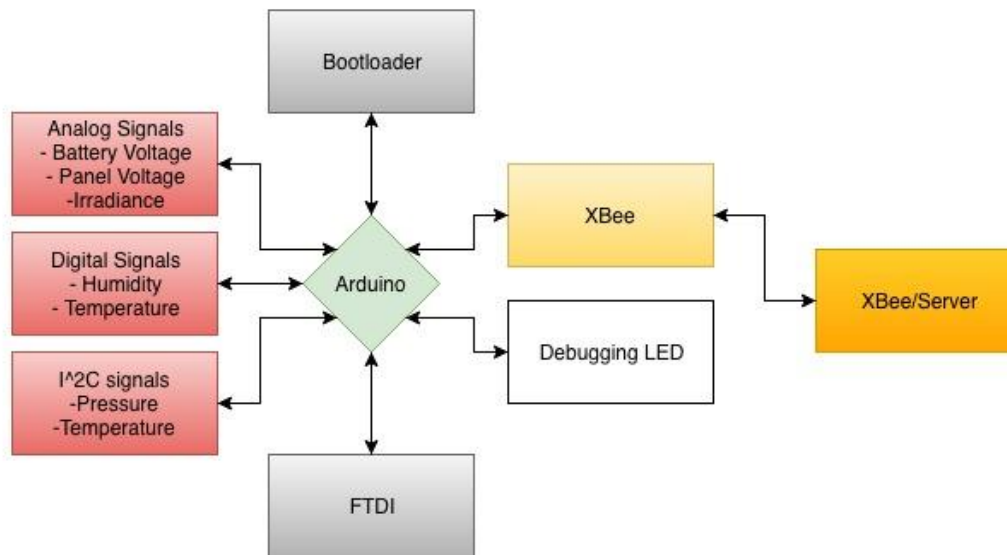
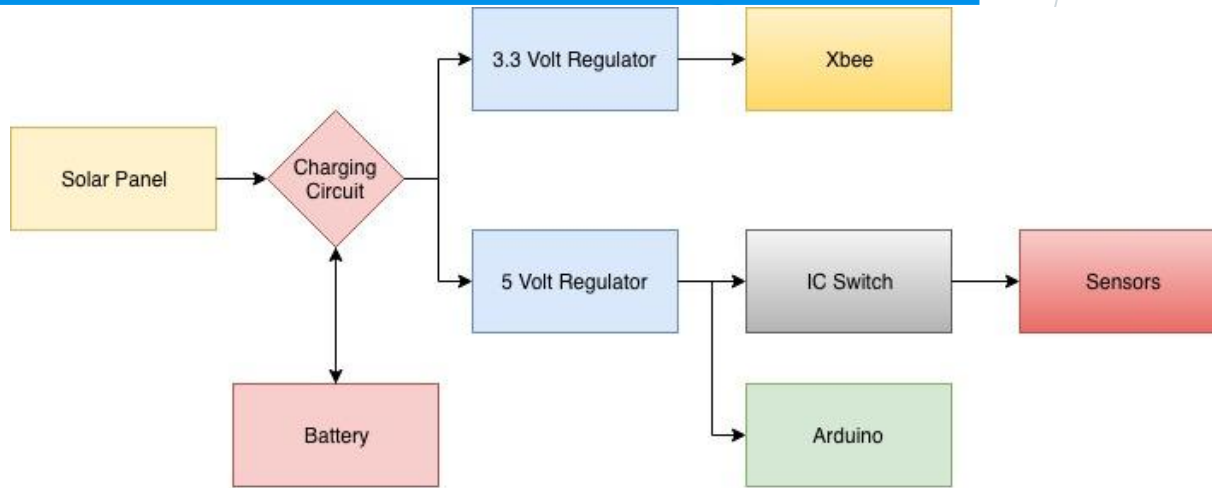
Preliminary Design Review

By Team Snapdragon
Kyle Chan, Jonathan Lau, Akira Vernon

Outline

- ◎ Overall Block Diagram
- ◎ Assignment of Tasks
- ◎ Problems
- ◎ Progress since the proposal presentation
- ◎ What you have yet to finish
- ◎ Timeline/Schedule

Overall Block Diagrams



Splitting of Tasks



Kyle

- **Eagle Schematics**
- **PCB Design**
- **System Integration**
- **Testing**



Jon

- **Sensor Codes**
- **Housing Design**
- **System Integration**
- **Testing**



Akira

- **XBee Code**
- **Housing Design**
- **System Integration**
- **Testing**

Problems

- ◎ Revising PCB Design
 - Some parts were unavailable
 - ◎ Tant caps replaced with Ceramic caps
- ◎ Waterproofing of Housing
 - Implementing a weather box that opens from the bottom
 - Still researching on other ways to prevent water from leaking in

Progress

- ◎ Completed the PCB Design
- ◎ Started housing design
 - Exploring several different designs
- ◎ Connected two solar panels together.
 - Finish testing with charging circuit

Yet to Finish..

- ◎ Implementing all the sensors with the XBee
- ◎ Soldering
- ◎ 3D Printed Housing
- ◎ Mill PCB

Gantt Chart

Team Snapdragon													
(Gantt Chart)													
Week	1	2	3	4	5	6	7	8	9	Spring Break	10	11	12
Date	1/16/2017	1/23/2017	1/30/2017	2/6/2017	2/13/2017	2/20/2017	3/6/2017	3/13/2017	3/20/2017	3/27/2017	4/3/2017	4/10/2017	4/17/2017
Presentations													
Proposal					2/11/16								
Design								Tentative*					
Final													Tentative*
Demonstration													
Training													
Git/GitHub	Tutorial	Tutorial	Tutorial										
Arduino/Bare Arduino	Tutorial	Tutorial	Tutorial										
Eagle	Tutorial	Tutorial	Tutorial										
Modules													
Microprocessor			Test	Test	Test								
Sensors			Test	Test	Test								
Charging Circuit			Test	Test	Test								
Xbee			Test	Test	Test								
Build													
System Integration											Integrate	Debug	
Overall System Firmware						Firmware/Debug					Integrate	Debug	
Design/Print PCB						PCB	PCB	PCB/Mill					
Housing						Design	Design	Design	Design	Design/Print			
Test													
Debug													
Reports													
Final Report													





“

Any Questions?